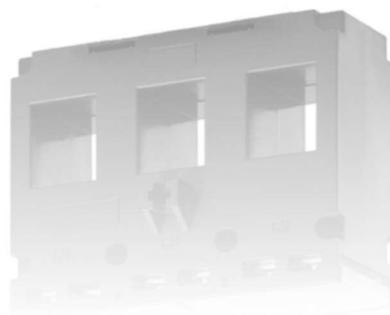


current-transformer T-serial
three-phase current-transformer



general technical data

standards:	IEC/EN60044-1, IEC61869-1, BS3938, BS7626
case :	10% self-extinguishing polycarbonate, UL 94V-0
insulation in air:	E (120°C max.)
test voltage	3KV 50 Hz / 1 min.
nominal function frequency:	50 / 60 Hz
primary current (I _{pn}):	60A to 600A
secondary current (I _{sn}) :	Standard: 5A (1A on request)
overload:	1.2x I _{pn} continuous
maximum service voltage insulation	0.72 kV

environmental conditions:

operating temperature:	-20 to +45°C
storage temperature	-40 to +80°C

order number

	TCSN	20T	500A	5A
type				
model		20T, 30T		
primary current	primary current depending on the model 3x 60A to 3x 250A 3x 100A to 3x 600A			
secondary current	3x 1A or 3x 5A			

accessories (included)

fixing for c.t. turned 90°



DIN-rail mounting



Feet's



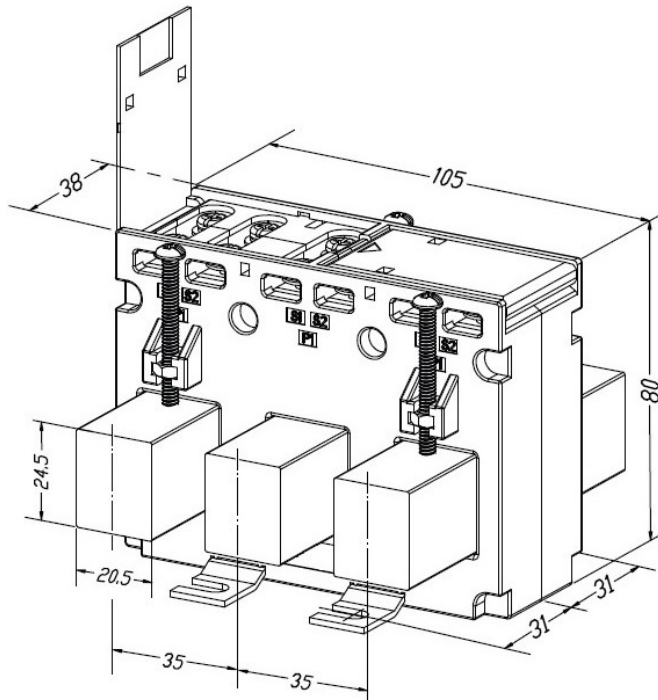
screws for rail mounting



DIN-rail mounting 90°

type	dimensions mm	hole / opening mm	primary- current A	secondary- current A	power VA	class
------	------------------	-------------------------	--------------------------	----------------------------	-------------	-------

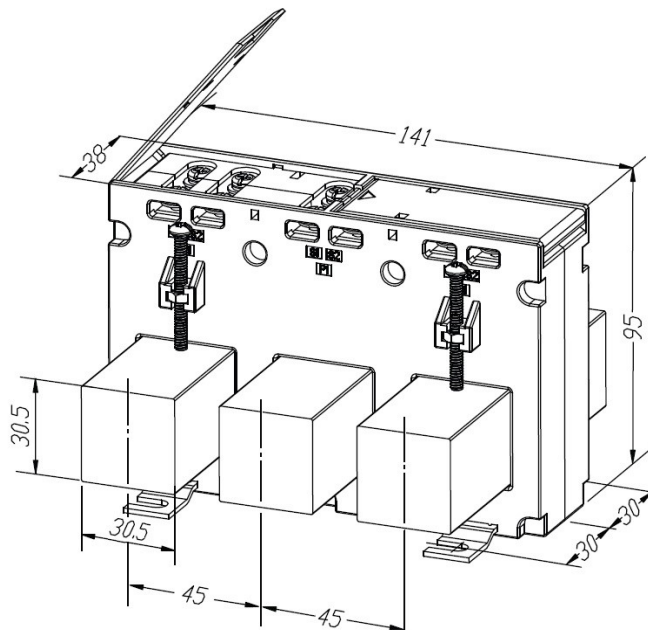
TCSN
20T



rail:	60	1A or 5A	1	3
3x20x10	75	1A or 5A	1	3
3x20x20	80	1A or 5A	1	3
	100	1A or 5A	1,5	1
cable-ø:	120	1A or 5A	1,5	1
3x 20	125	1A or 5A	1,5	1
	150	1A or 5A	1,5	1
	200	1A or 5A	1,5	1
	250	1A or 5A	1,5	1

type	dimensions mm	hole / opening mm	primary- current A	secondary- current A	power VA	class
------	------------------	-------------------------	--------------------------	----------------------------	-------------	-------

TCSN
30T



rail:	100	1A or 5A	2,5	3
3x30x10	125	1A or 5A	2,5	3
3x30x20	150	1A or 5A	2	1
	200	1A or 5A	2	1
cable-ø:	250	1A or 5A	2,5	1
3x 30	300	1A or 5A	2	0,5
	400	1A or 5A	2	0,5
	500	1A or 5A	2	0,5
	600	1A or 5A	2	0,5