

**indoor - cast resin current transformer - 0.72kV
for installation in cabinets with a medium-voltage
network - for insulated medium voltage cables**

TE - serial



primary current:	40 to max. 6000A
secondary current:	1A oder 5A
number of primary windings:	1 (2 on request)
number of secondary windings:	1 (2 on request)
operating frequency:	50 / 60Hz
test voltage:	3kV for 1 Min.
insulation:	class E
permanent overload:	1,2 x In (120%)
thermal short-circuit current (Ith):	up to 40kA for 1 sec.
dynamic short circuit current(I _{dyn}):	2,5x Ith
protection degree:	IP40
safety factor :	FS <10 for measurements
operating temperature:	-20°C bis +40°C
storage temperature:	-40°C bis + 80°C
construction according to CEI EN60044-1, place of use:	indoor
power and class, on request	

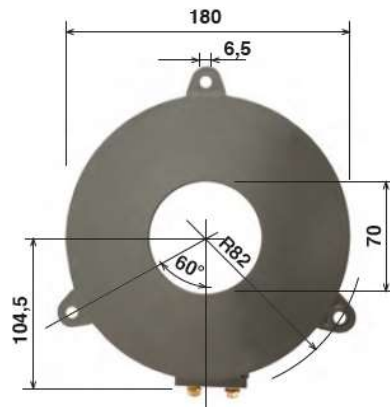
**In the case of an inquiry / order, we need the following information:
Primary and secondary current, power (VA), class (e.g. class 0.5, class 5P10)**

Toroidal core current transformers in plastic housing (ABS), self-extinguishing according to regulation UL94V0. Embedded in "ISEPOX" epoxy resin. A current transformer, depending on the version, for both measurement and protection purposes is usable. The area of application is the low-voltage control cabinet. But also with the appropriate Isolation of the conductor used in medium-voltage systems.

Other areas of application are, for example, systems for energy generation, energy distribution systems, Wind turbines etc.

Type: TE070

-weight: ~10kg



Type: TE 105

-weight: ~9kg



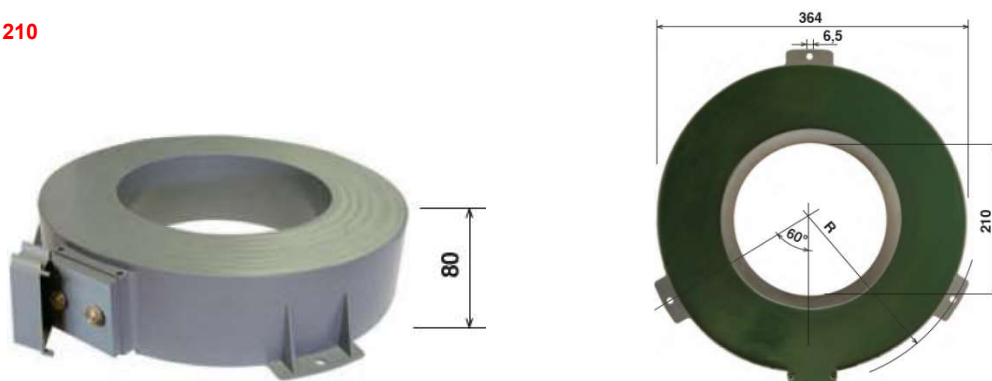


indoor - cast resin current transformer - 0.72kV
for installation in cabinets with a medium-voltage
network - for insulated medium voltage cables

Type: **TE 105D**



Type: **TE 210**



Type: **TE 320**

