

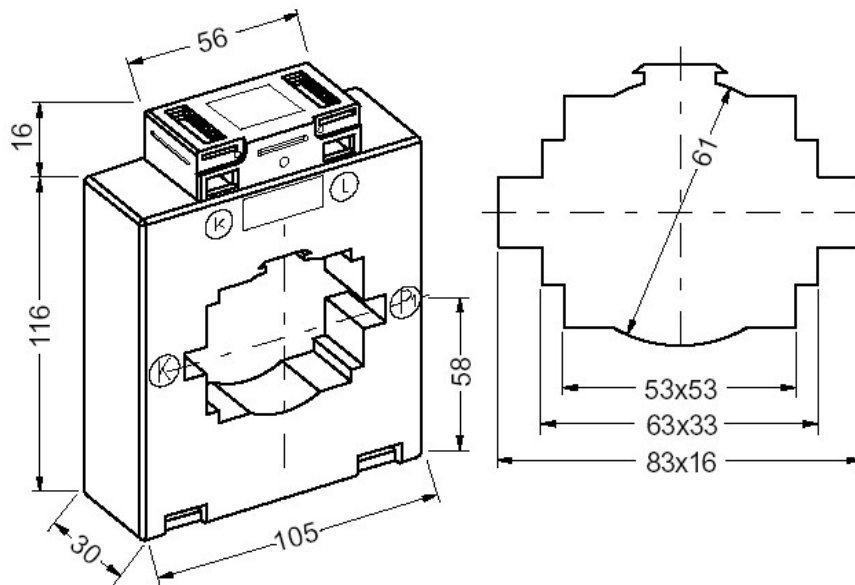
**Current transformer
(E) 10A815.3**

rail:	1x 80x15mm
	2x 60x10mm
	3x 50x10mm
cable:	61mm

standards	IEC185, IEC44-1, DIN VDE 0414 part 1, HD553 S2, VDE1000, DIN42600, VBG4, VDE0106 part 100		
housing	polycarbonate, flame retardant according to UL 94		
terminals	double nickel-plated secondary terminals with plus-minus screws (0,5Nm)		
frequency	50.....60Hz (other on request)		
insulation class	E (other on request)		
thermal short-time current	$I_{th} = 60 \times I_{pr}$ for 1 second		
rated dynamic current	$I_{dyn} = 2,5 \times I_{th}$ (minimum 100kA for all current transformers)		
max.operating voltage	$U_m = 0,72kV$ (other on request)		
test voltage	4kV / minute (other on request)		
current limiting factor	FS5 or FS10		
rated continuous thermal current	$I_b = 1,2 \times I_n$ according to VDE 0414 (unless otherwise stated)		
secondary current	5A or 1A		
in the delivery included:	terminal cover for secondary terminals	feets	primary rail clamps

(E) 10A815.3			
primary current	secondary current	class	power
400 – 2500A	5A oder 1A	0,2S-0,2-0,5S-0,5-1	2,5 – 30VA

dimensions



I _{sr}	Kl.	primary rated current I _{pr}											A		
		400	500	600	750	800	1000	1250	1500	1600	2000	2500 *			
5A	1	2,5	2,5	2,5	2,5	2,5	2,5	2,5	2,5	2,5	2,5	5	10	VA	
		5	5	5	5	5	5	5	5	5	5	10	15		
		7,5	10	10	10	10	10	10	10	10	10	15	20		
					15	15		15	15	15	15	20	30		
	0,5	2,5	2,5	2,5	2,5	2,5	2,5	2,5	2,5	2,5	2,5	2,5	5		
		5	5	5	5	5	5	5	5	5	5	5	10		
				10	10	10	10	10	10	10	10	10	15		
					15	15		15	15	15	15	15	20		
	0,5S		2,5	2,5	2,5	2,5	2,5	2,5	2,5	2,5	2,5	2,5	5		
				5	5	5	5	5	5	5	5	5	10		
					10	10	10	10	10	10	10	10	15		
						15		15	15	15	15	15	20		
	0,2				2,5	2,5	2,5	2,5	2,5	2,5	2,5	2,5	5		
						5	5	5	5	5	5	5	10		
							10	10	10	10	10	10	15		
										2,5	2,5	2,5	5		
	0,2S									2,5	2,5	2,5	5		
										5	5	5	10		
	1 A	1	2,5	2,5	2,5	2,5	2,5	2,5	2,5	2,5	2,5	5			VA
			5	5	5	5	5	5	5	5	5	5	10		
			7,5	10	10	10	10	10	10	10	10	10	15		
										15	15	15	20		
0,5		2,5	2,5	2,5	2,5	2,5	2,5	2,5	2,5	2,5	2,5	2,5			
		5	5	5	5	5	5	5	5	5	5	5			
				10	10	10	10	10	10	10	10	10			
									15	15	15	15			
0,5S			2,5	2,5	2,5	2,5	2,5	2,5	2,5	2,5	2,5	2,5			
				5	5	5	5	5	5	5	5	5			
							10	10	10	10	10	10			
									15	15	15	15			
0,2					2,5	2,5	2,5	2,5	2,5	2,5	2,5	2,5			
							5	5	5	5	5	5			
								10	10	10	10	10			
										2,5	2,5	2,5			
0,2S										2,5	2,5	2,5			
										5	5	5			



dark marked fields = conformity assessment possible for billing purposes. These approved current transformers have the national certificates for germany.

included:



1 pieces primary rail clamps with 2x screws M5x55
 2 pieces terminal cover (yellow sliders)
 2 pieces feet

options:



2 pcs. DIN-rail mounting
 2 pcs. caps for primary fixing bolts