



**current transformer
(E) 13A1056.3**

rail: 3x 100x12mm

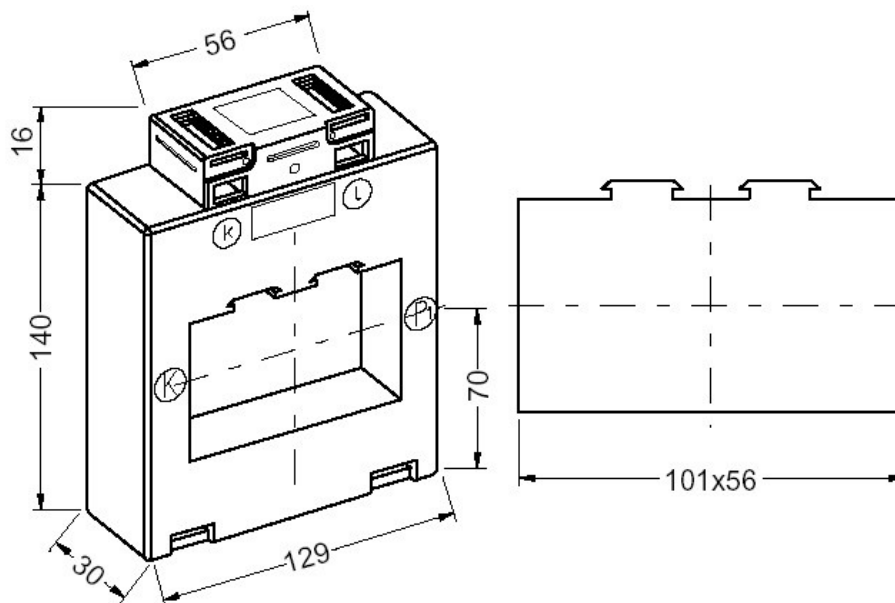
| | | | |
|----------------------------------|---|-------|---------------------|
| standards | IEC185, IEC44-1, DIN VDE 0414 part 1, HD553 S2, VDE1000, DIN42600, VBG4, VDE0106 part 100 | | |
| housing | polycarbonate, flame retardant according to UL 94 | | |
| terminals | double nickel-plated secondary terminals with plus-minus screws (0,5Nm) | | |
| frequency | 50.....60Hz (other on request) | | |
| insulation class | E (other on request) | | |
| thermal short-time current | $I_{th} = 60 \times I_{pr}$ for 1 second | | |
| rated dynamic current | $I_{dyn} = 2,5 \times I_{th}$ (minimum 100kA for all current transformers) | | |
| max.operating voltage | $U_m = 0,72kV$ (other on request) | | |
| test voltage | 4kV / minute (other on request) | | |
| current limiting factor | FS5 or FS10 | | |
| rated continuous thermal current | $I_D = 1,2 \times I_n$ according to VDE 0414 (unless otherwise stated) | | |
| secondary current | 5A or 1A | | |
| in the delivery included: | terminal cover for secondary terminals | feets | primary rail clamps |

- DIN-rail mounting according to EN50022-35 or DIN 46277
- protective caps for primary rail fastening screws
- copper tube in different sizes

options:

| (E) 13A1056.3 | | | |
|----------------------|-------------------|---------------------|------------|
| primary current | secondary current | class | power |
| 400 – 4000A | 5A oder 1A | 0,2S-0,2-0,5S-0,5-1 | 2,5 – 20VA |

Abmessungen



| I _r | KI. | primary rated current I _p r | | | | | | | | | | | | | | A | | | |
|----------------|------|--|-----|-----|-----|-----|------|------|------|------|------|------|------|--------|--------|-----|----|----|----|
| | | 400 | 500 | 600 | 750 | 800 | 1000 | 1200 | 1250 | 1500 | 1600 | 2000 | 2500 | 3000 * | 4000 * | | | | |
| 5A | 1 | 2,5 | 2,5 | 5 | 5 | 5 | 5 | 5 | 5 | 5 | 5 | 5 | 5 | 5 | 5 | 5 | 5 | VA | |
| | | 5 | 5 | 10 | 10 | 10 | 10 | 10 | 10 | 10 | 10 | 10 | 10 | 10 | 10 | 10 | 10 | | |
| | | | | | | | | | | 15 | 15 | 15 | 15 | 15 | 15 | 15 | 15 | | |
| | 0,5 | 2,5 | 2,5 | 2,5 | 2,5 | 2,5 | 2,5 | 2,5 | 2,5 | 2,5 | 2,5 | 2,5 | 2,5 | 2,5 | 2,5 | 5 | 5 | | |
| | | 5 | 5 | 5 | 5 | 5 | 5 | 5 | 5 | 5 | 5 | 5 | 5 | 5 | 5 | 10 | 10 | | |
| | | | | 10 | 10 | 10 | 10 | 10 | 10 | 10 | 10 | 10 | 10 | 10 | 10 | 15 | 15 | | |
| | 0,5S | 2,5 | 2,5 | 2,5 | 2,5 | 2,5 | 2,5 | 2,5 | 2,5 | 2,5 | 2,5 | 2,5 | 2,5 | 2,5 | 2,5 | 5 | 5 | | |
| | | | | | | | 5 | 5 | 5 | 5 | 5 | 5 | 5 | 5 | 5 | 10 | 10 | | |
| | | | | | | | 10 | 10 | 10 | 10 | 10 | 10 | 10 | 10 | 10 | 15 | 15 | | |
| | 0,2 | 2,5 | 2,5 | 2,5 | 2,5 | 2,5 | 2,5 | 2,5 | 2,5 | 2,5 | 2,5 | 2,5 | 2,5 | 2,5 | 2,5 | 5 | 5 | | |
| | | | | | | | 5 | 5 | 5 | 5 | 5 | 5 | 5 | 5 | 5 | 10 | 10 | | |
| | | | | | | | 10 | 10 | 10 | 10 | 10 | 10 | 10 | 10 | 10 | 15 | 15 | | |
| | 0,2S | 2,5 | 2,5 | 2,5 | 2,5 | 2,5 | 2,5 | 2,5 | 2,5 | 2,5 | 2,5 | 2,5 | 2,5 | 2,5 | 2,5 | 5 | 5 | | |
| | | | | | | | | | | | | | | | 15 | 15 | 20 | | 20 |
| | | | | | | | | | | | | | | | 2,5 | 2,5 | 5 | | 5 |
| | 1A | 1 | 2,5 | 2,5 | 5 | 5 | 5 | 5 | 5 | 5 | 5 | 5 | 5 | 5 | 5 | 15 | 10 | | VA |
| | | | 5 | 5 | 10 | 10 | 10 | 10 | 10 | 10 | 10 | 10 | 10 | 10 | 10 | 10 | 15 | | |
| | | | | | | | | | | | | | | | | 20 | 25 | | |
| 0,5 | | 2,5 | 2,5 | 2,5 | 2,5 | 2,5 | 2,5 | 2,5 | 2,5 | 2,5 | 2,5 | 2,5 | 2,5 | 2,5 | 2,5 | 5 | 5 | | |
| | | 5 | 5 | 5 | 5 | 5 | 5 | 5 | 5 | 5 | 5 | 5 | 5 | 5 | 5 | 10 | 10 | | |
| | | | | 10 | 10 | 10 | 10 | 10 | 10 | 10 | 10 | 10 | 10 | 10 | 10 | 15 | 15 | | |
| 0,5S | | 2,5 | 2,5 | 2,5 | 2,5 | 2,5 | 2,5 | 2,5 | 2,5 | 2,5 | 2,5 | 2,5 | 2,5 | 2,5 | 2,5 | 5 | 5 | | |
| | | | | | | | 5 | 5 | 5 | 5 | 5 | 5 | 5 | 5 | 5 | 10 | 10 | | |
| | | | | | | | 10 | 10 | 10 | 10 | 10 | 10 | 10 | 10 | 10 | 15 | 15 | | |
| 0,2 | | 2,5 | 2,5 | 2,5 | 2,5 | 2,5 | 2,5 | 2,5 | 2,5 | 2,5 | 2,5 | 2,5 | 2,5 | 2,5 | 2,5 | 5 | 5 | | |
| | | | | | | | 5 | 5 | 5 | 5 | 5 | 5 | 5 | 5 | 5 | 10 | 10 | | |
| | | | | | | | 10 | 10 | 10 | 10 | 10 | 10 | 10 | 10 | 10 | 15 | 15 | | |
| 0,2S | | 2,5 | 2,5 | 2,5 | 2,5 | 2,5 | 2,5 | 2,5 | 2,5 | 2,5 | 2,5 | 2,5 | 2,5 | 2,5 | 2,5 | 5 | 5 | | |
| | | | | | | | | | | | | | | | 15 | 15 | 20 | 20 | |
| | | | | | | | | | | | | | | | 2,5 | 2,5 | 5 | 5 | |
| | | | | | | | | | | | | | | | 5 | 5 | 10 | 10 | |
| | | | | | | | | | | | | | | | 10 | | | | |



dark marked fields = conformity assessment possible for billing purposes. These approved current transformers have the national certificates for germany.

included:



2 pieces primary rail clamps with 4x screws M5x55
 2 pieces terminal cover (yellow sliders)
 2 pieces feet

options:



2 pcs. DIN-rail mounting
 4 pcs. caps for primary fixing bolts