



**current transformer
(E) 16A1272.3**

rail: 4x 120x10mm

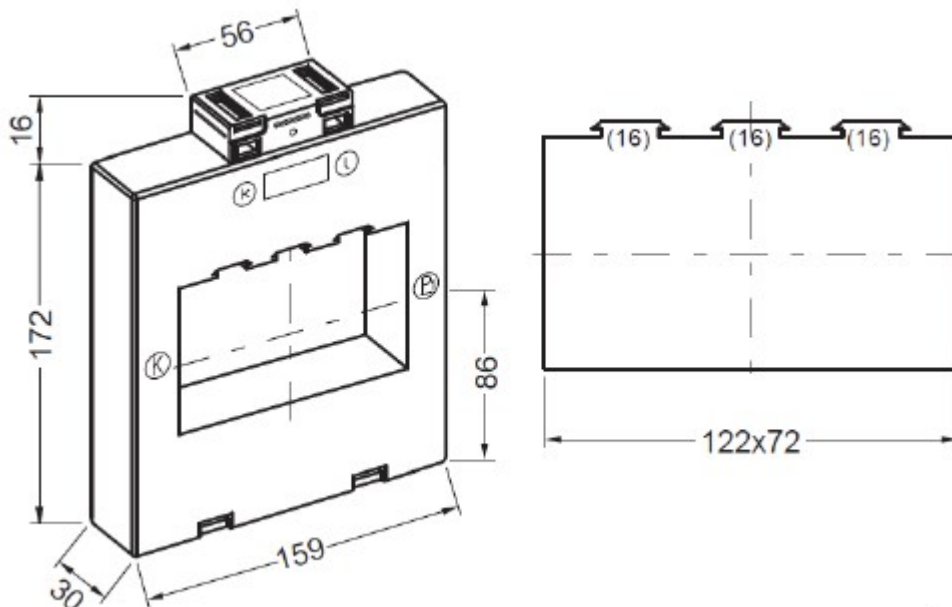
standards	IEC185, IEC44-1, DIN VDE 0414 part 1, HD553 S2, VDE1000, DIN42600, VBG4, VDE0106 part 100		
housing	polycarbonate, flame retardant according to UL 94		
terminals	double nickel-plated secondary terminals with plus-minus screws (0,5Nm)		
frequency	50.....60Hz (other on request)		
insulation class	E (other on request)		
thermal short-time current	$I_{th} = 60 \times I_{pr}$ for 1 second		
rated dynamic current	$I_{dyn} = 2,5 \times I_{th}$ (minimum 100kA for all current transformers)		
max.operating voltage	$U_m = 0,72kV$ (other on request)		
test voltage	4kV / minute (other on request)		
current limiting factor	FS5 or FS10		
rated continuous thermal current	$I_d = 1,2 \times I_n$ according to VDE 0414 (unless otherwise stated)		
secondary current	5A or 1A		
in the delivery included:	terminal cover for secondary terminals	feets	primary rail clamps

options:

- DIN-rail mounting according to EN50022-35 or DIN 46277
- protective caps for primary rail fastening screws
- copper tube in different sizes

(E) 16A1272.3			
primary current	secondary current	class	power
400 – 4000A ((6000A))	5A oder 1A	0,2S-0,2-0,5-S-0,5-1	2,5 – 30VA

dimensions



I _{br}	Kl.	primary rated current I _{pr}														A	
		400	500	600	750	800	1000	1250	1500	1600	2000	2500	3000	4000	5000 *		6000 *
5A	1	2,5	2,5	5	5	5	5	5	5	5	5	10	10	10	10	10	
		5	5	10	10	10	10	10	10	10	10	15	15	15	20	20	
								15	15	15	15	15	20	20	20	30	30
	0,5			2,5	2,5	2,5	5	5	5	5	5	5	5	5	10	10	
				5	5	5	10	10	10	10	10	10	10	10	10	20	20
												15	15	15	15	30	30
	0,5S								5	5	5	5	5	5	10	10	
									10	10	10	10	10	10	15	15	
											15	15	15	15	20	20	
	0,2										5	5	5	5	10	10	
											10	10	10	10	15	15	
													15	15	20	20	
	0,2S											5	5	5	10	10	
													10	10	15	15	
														15			
	1A	1	2,5	2,5	5	5	5	5	5	5	5	5	10	10	10		
			5	5	10	10	10	10	10	10	10	10	15	15	15		
									15	15	15	15	15	20	20	20	
0,5				2,5	2,5	2,5	5	5	5	5	5	5	5	5			
				5	5	5	10	10	10	10	10	10	10	10			
												15	15	15	15		
0,5S									5	5	5	5	5	5			
									10	10	10	10	10	10			
											15	15	15	15			
0,2											5	5	5	5			
											10	10	10	10			
													15	15			
0,2S												5	5	5			
													10	10			
														15			



dark marked fields = conformity assessment possible for billing purposes. These approved current transformers have the national certificates for germany.

included:



2 pieces primary rail clamps with 4x screws M5x55
 2 pieces terminal cover (yellow sliders)
 2 pieces feet

options:



2 pcs. DIN-rail mounting
 4 pcs. caps for primary fixing bolts