



current transformer  
(E) 4R21.3

cable: 21mm

standards	IEC185, IEC44-1, DIN VDE 0414 part 1, HD553 S2, VDE1000, DIN42600, VBG4, VDE0106 part 100
housing	polycarbonate, flame retardant according to UL 94
terminals	double nickel-plated secondary terminals with plus-minus screws (0,5Nm)
frequency	50.....60Hz ( other on request )
insulation class	E ( other on request )
thermal short-time current	$I_{th} = 60 \times I_{pr}$ for 1 second
rated dynamic current	$I_{dyn} = 2,5 \times I_{th}$ (minimum 100kA for all current transformers)
max.operating voltage	$U_m = 0,72kV$ ( other on request )
test voltage	4kV / minute ( other on request )
current limiting factor	FS5 or FS10
rated continuous thermal current	$I_D = 1,2 \times I_n$ according to VDE 0414 (unless otherwise stated )
secondary current	5A or 1A
in the delivery included: terminal cover for secondary terminals   feet	

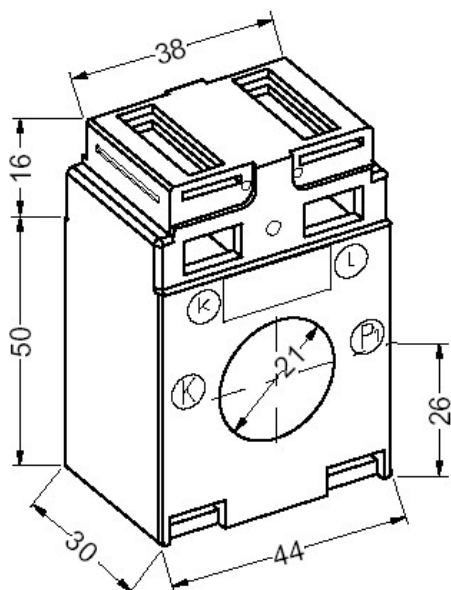
### options:

- DIN-rail mounting according to EN50022-35 or DIN 46277
- copper tube in different sizes
- protective cover to increase the flash-over and creepage distances if used as a tube type current transformer


### (E) 4R21.3

primary current	secondary current	class	power
50 – 500A	5A or 1A	0,2S-0,2-0,5S-0,5-1-3	1,0 – 10VA

### dimensions



I <sub>sr</sub>	KI.	primary rated current I <sub>pr</sub>												A								
		50	60	75	80	100	125	150	200	250	300	400	500									
5 A	3	1,25																				
	1		1	1,25	1,25	2,5	2,5	2,5	2,5	2,5	2,5	2,5	2,5	2,5	2,5	2,5	2,5					
					2,5				3,75	5	5	5	5	5	5	5	5	5				
	0,5																					
	0,5S																					
	0,2																					
	0,2S																					
1 A	3	1,25																				
	1		1	1,25	2,5	2,5	2,5	2,5	2,5	2,5	2,5	2,5	2,5	2,5	2,5	2,5	2,5					
	0,5																					
	0,5S																					
	0,2																					
	0,2S																					

 dark marked fields = conformity assessment possible for billing purposes.  
 These approved current transformers have the national certificates for germany.

included



2 pieces terminal cover (yellow sliders)  
 2 pieces feet

options



DIN-rail mounting (2 pieces)