



**current transformer
(E) 6A315.3**

rail: 30x15mm
20x20mm
cable: 28mm

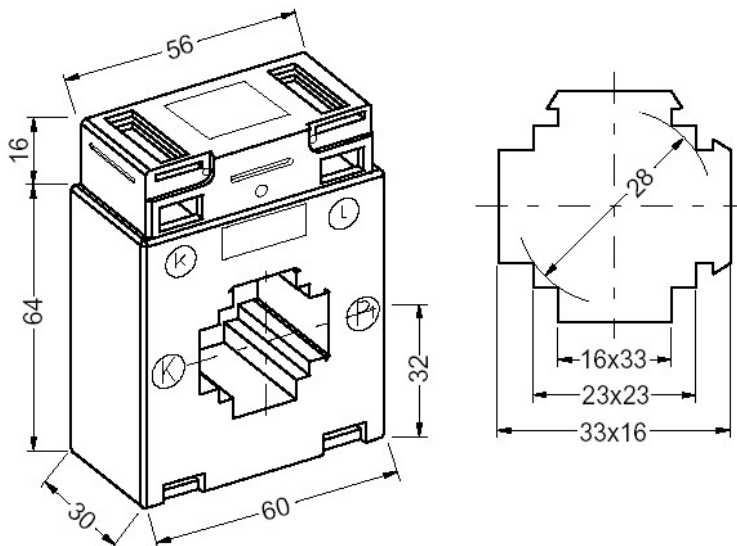
standards	IEC185, IEC44-1, DIN VDE 0414 part 1, HD553 S2, VDE1000, DIN42600, VBG4, VDE0106 part 100		
housing	polycarbonate, flame retardant according to UL 94		
terminals	double nickel-plated secondary terminals with plus-minus screws (0,5Nm)		
frequency	50.....60Hz (other on request)		
insulation class	E (other on request)		
thermal short-time current	$I_{th} = 60 \times I_{pr}$ for 1 second		
rated dynamic current	$I_{dyn} = 2,5 \times I_{th}$ (minimum 100kA for all current transformers)		
max.operating voltage	$U_m = 0,72kV$ (other on request)		
test voltage	4kV / minute (other on request)		
current limiting factor	FS5 or FS10		
rated continuous thermal current	$I_D = 1,2 \times I_n$ according to VDE 0414 (unless otherwise stated)		
secondary current	5A or 1A		
in the delivery included:	terminal cover for secondary terminals	feets	primary rail clamps

options:

- DIN-rail mounting according to EN50022-35 or DIN 46277
- protective caps for primary rail fastening screws
- copper tube in different sizes
- protective cover to increase the flash-over and creepage distances if used as a tube type current transformer

(E) 6A315.3			
primary current	secondary current	class	power
50 – 750A	5A oder 1A	0,2S-0,2-0,5S-0,5 oder 1	1,25 – 15VA

dimensions



I _{sr}	Kl.	primary rated current I _{pr}												A
		75	80	100	125	150	200	250	300	400	500	600	750	
5A	1	1	1,25	2,5	2,5	2,5	2,5	2,5	2,5	5	2,5	2,5	5	VA
					3,75	3,75	5	5	5	10	5	5	10	
						5	7,5	7,5	7,5	15	10	10	15	
	0,5					1,25	2,5	2,5	2,5	2,5	2,5	2,5	2,5	
							3,75	5	5	5	5	5	5	
								7,5	7,5	10	10	10	10	
	0,5S							2,5	2,5	2,5	2,5	2,5	2,5	
									5	5	5	5	5	
										10	10	10	10	
	0,2									2,5	2,5	2,5	2,5	
											5	5	5	
												2,5	2,5	
0,2S											5	5		
1A	1	1,25	1,5	2,5	2,5	2,5	2,5	2,5	2,5	2,5	2,5	2,5	VA	
					3,75	3,75	5	5	5	5	5	5		
							7,5	7,5	10	10	10			
	0,5			1,25	1,25	2,5	2,5	2,5	2,5	2,5	2,5	2,5		
							3,75	5	5	5	5	5		
								7,5	10	10	10			
	0,5S						2,5	2,5	2,5	2,5	2,5	2,5		
									5	5	5	5		
										10	10			
	0,2									2,5	2,5	2,5		
										5	5	5		
												2,5		
0,2S														



dark marked fields = conformity assessment possible for billing purposes. These approved current transformers have the national certificates for germany.

included:



- 1 pieces primary rail clamps mit 2x screws M5x55
- 2 pieces terminal cover (yellow sliders)
- 2 pieces feet

options:



- 2 pcs. DIN-rail mounting
- 2 pcs. caps for primary fixing bolts