



winding current transformer
6W0.3

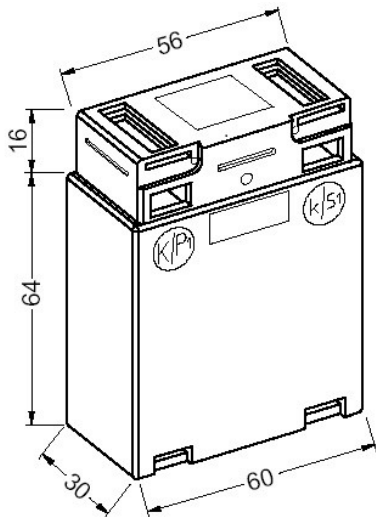
standards	IEC185, IEC44-1, DIN VDE 0414 part 1, HD553 S2, VDE1000, DIN42600, VBG4, VDE0106 part 100	
housing	polycarbonate, flame retardant according to UL 94	
terminals	double nickel-plated secondary terminals with plus-minus screws (0,5Nm)	
frequency	50.....60Hz (other on request)	
insulation class	E (other on request)	
thermal short-time current	$I_{th} = 60 \times I_{pr}$ for 1 second	
rated dynamic current	$I_{dyn} = 2,5 \times I_{th}$ (minimum 100kA for all current transformers)	
max.operating voltage	$U_m = 0,72kV$ (other on request)	
test voltage	4kV / minute (other on request)	
current limiting factor	FS5 or FS10	
rated continuous thermal current	$I_D = 1,2 \times I_n$ according to VDE 0414 (unless otherwise stated)	
secondary current	5A or 1A	
in the delivery included: terminal cover for secondary terminals feet		

options:

- DIN-rail mounting according to EN50022-35 or DIN 46277

6W0.3			
primary current	secondary current	class	power
1 – 40A	5A oder 1A	0,5 oder 1	2,5 bis 5VA

dimensions



I _{sr}	Kl.	primary rated current I _{pr}														A
		1	2	2,5	4	5	6	7,5	10	12,5	15	20	25	30	40	
5A	0,5	2,5	2,5	2,5	2,5	2,5	2,5	2,5	2,5	2,5	2,5	2,5	2,5	2,5	2,5	VA
		5	5	5	5	5	5	5	5	5	5	5	5	5	5	
	1	2,5	2,5	2,5	2,5	2,5	2,5	2,5	2,5	2,5	2,5	2,5	2,5	2,5	2,5	
		5	5	5	5	5	5	5	5	5	5	5	5	5	5	
		7,5	7,5	7,5	7,5	7,5	7,5	7,5	7,5	7,5	7,5	7,5	7,5	7,5	7,5	
1A	0,5	2,5	2,5	2,5	2,5	2,5	2,5	2,5	2,5	2,5	2,5	2,5	2,5	2,5	2,5	VA
		5	5	5	5	5	5	5	5	5	5	5	5	5	5	
	1	2,5	2,5	2,5	2,5	2,5	2,5	2,5	2,5	2,5	2,5	2,5	2,5	2,5	2,5	
		5	5	5	5	5	5	5	5	5	5	5	5	5	5	

included:



2 pieces terminal cover (yellow sliders)
2 pieces feet



options:



2 pcs. DIN-rail mounting