

**Current transformer  
7A512.3**

rail: 50x12mm  
2x 40x10mm

cable: 42mm

width: just 70mm

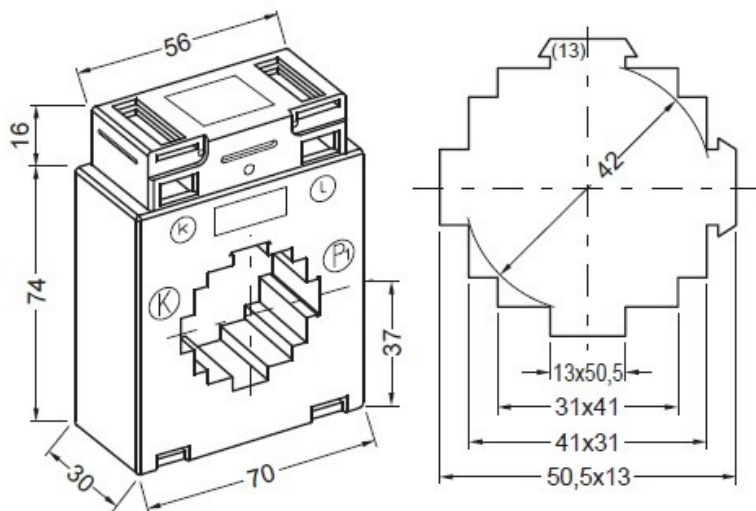
standards	IEC185, IEC44-1, DIN VDE 0414 part 1, HD553 S2, VDE1000, DIN42600, VBG4, VDE0106 part 100		
housing	polycarbonate, flame retardant according to UL 94		
terminals	double nickel-plated secondary terminals with plus-minus screws (0,5Nm)		
frequency	50.....60Hz ( other on request )		
insulation class	E ( other on request )		
thermal short-time current	$I_{th} = 60 \times I_{pr}$ for 1 second		
rated dynamic current	$I_{dyn} = 2,5 \times I_{th}$ (minimum 100kA for all current transformers)		
max.operating voltage	$U_m = 0,72kV$ ( other on request )		
test voltage	4kV / minute ( other on request )		
current limiting factor	FS5 or FS10		
rated continuous thermal current	$I_D = 1,2 \times I_n$ according to VDE 0414 (unless otherwise stated )		
secondary current	5A or 1A		
in the delivery included:	terminal cover for secondary terminals	feets	primary rail clamps

### options:

- DIN-rail mounting according to EN50022-35 or DIN 46277
- protective caps for primary rail fastening screws
- copper tube in different sizes
- protective cover to increase the flash-over and creepage distances if used as a tube type current transformer

7A512.3			
primary current	secondary current	class	power
100 – 1500A	5A oder 1A	0,5 oder 1	1,25 – 20VA

### dimensions



I <sub>sr</sub>	Kl.	primary rated current I <sub>pr</sub>										A	
		150	200	250	300	400	500	600	750	800	1000		
5 A	1	1,25	1,25	2,5	2,5	1,25	2,5	2,5	2,5	2,5	2,5	2,5	VA
									3,75	3,75	5		
	0,5			1,25	1,25	1,25	1,25	2,5	2,5	2,5	2,5	2,5	
					2,5		2,5		3,75	3,75	5		
1 A	1	1,25	1,25	2,5	2,5	1,25	2,5	2,5	2,5	2,5	2,5	VA	
									3,75	3,75	5		
	0,5		1,25	1,25	2,5	1,25	2,5	2,5	2,5	2,5	2,5		2,5
									3,75	3,75	5		



dark marked fields = conformity assessment possible for billing purposes. These approved current transformers have the national certificates for germany.

included:



1 pieces primary rail clamps mit 2x screws M5x55  
 2 pieces terminal cover (yellow sliders)  
 2 pieces feet

options:



2 pcs. DIN-rail mounting  
 2 pcs. caps for primary fixing bolts