

**current transformer  
(E) 8A615.3**

rail: 60x15mm  
2x 50x10mm  
40x40mm

cable: 52mm

**width: just 85mm**

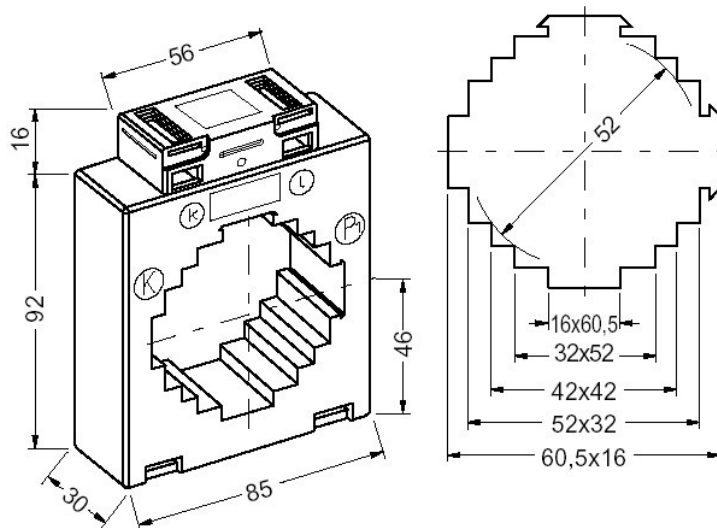
standards	IEC185, IEC44-1, DIN VDE 0414 part 1, HD553 S2, VDE1000, DIN42600, VBG4, VDE0106 part 100		
housing	polycarbonate, flame retardant according to UL 94		
terminals	double nickel-plated secondary terminals with plus-minus screws (0,5Nm)		
frequency	50.....60Hz ( other on request )		
insulation class	E ( other on request )		
thermal short-time current	$I_{th} = 60 \times I_{pr}$ for 1 second		
rated dynamic current	$I_{dyn} = 2,5 \times I_{th}$ (minimum 100kA for all current transformers)		
max.operating voltage	$U_m = 0,72kV$ ( other on request )		
test voltage	4kV / minute ( other on request )		
current limiting factor	FS5 or FS10		
rated continuous thermal current	$I_D = 1,2 \times I_n$ according to VDE 0414 (unless otherwise stated )		
secondary current	5A or 1A		
in the delivery included:	terminal cover for secondary terminals	feets	primary rail clamps

### options:

- DIN-rail mounting according to EN50022-35 or DIN 46277
- protective caps for primary rail fastening screws
- copper tube in different sizes

(E) 8A615.3			
primary current	secondary current	class	power
200 – 1600A	5A oder 1A	0,2S-0,2-0,5S-0,5-1	1,25 – 20VA

### dimensions



I <sub>cr</sub>	Kl.	primary rated current I <sub>pr</sub>												A	
		200	250	300	400	500	600	750	800	1000	1250	1500	1600		
5A	1	2,5	2,5	2,5	2,5	2,5	2,5	2,5	2,5	2,5	5	5	5	5	VA
		3,75	3,75	3,75	3,75	5	5	5	5	10	10	10	10		
		5	5	5	5	7,5	10	10	10	15	15	15	15		
		15	15	15	15	15	15	15	15	20	20	20	20		
	0,5	1,25	1,25	2,5	2,5	2,5	2,5	2,5	2,5	2,5	5	5	5	5	VA
		2,5	2,5	5	5	5	5	5	5	5	10	10	10	10	
		7,5	7,5	10	10	10	10	10	10	15	15	15	15	15	
		15	15	15	15	15	15	15	15	20	20	20	20	20	
	0,5S	1,25	2,5	2,5	2,5	2,5	2,5	2,5	5	5	5	5	5	5	VA
		2,5	5	5	5	5	5	5	10	10	10	10	10	10	
		10	10	10	10	10	10	10	15	15	15	15	15	15	
		20	20	20	20	20	20	20	20	20	20	20	20	20	
	0,2	2,5	2,5	2,5	2,5	2,5	2,5	2,5	5	5	10	10	10	10	VA
		5	5	5	5	5	5	5	10	15	15	15	15	15	
		10	10	10	10	10	10	10	15	15	15	15	15	15	
		20	20	20	20	20	20	20	20	20	20	20	20	20	
	0,2S	2,5	2,5	2,5	2,5	2,5	2,5	2,5	2,5	2,5	5	5	5	5	VA
		5	5	5	5	5	5	5	5	5	10	10	10	10	
10		10	10	10	10	10	10	10	10	10	10	10	10		
15		15	15	15	15	15	15	15	15	15	15	15	15		
1 A	1	2,5	2,5	2,5	2,5	2,5	2,5	2,5	2,5	2,5	2,5	2,5	2,5	2,5	VA
		3,75	3,75	5	5	5	5	5	5	5	5	5	5	5	
		7,5	7,5	10	10	10	10	10	10	10	10	10	10	10	
		15	15	15	15	15	15	15	15	15	15	15	15	15	
	0,5	1,25	1,25	1,25	2,5	2,5	2,5	2,5	2,5	2,5	2,5	2,5	2,5	2,5	VA
		2,5	2,5	2,5	3,75	5	5	5	5	5	5	5	5	5	
		7,5	7,5	7,5	10	10	10	10	10	10	10	10	10	10	
		15	15	15	15	15	15	15	15	15	15	15	15	15	
	0,5S	1,25	2,5	2,5	2,5	2,5	2,5	2,5	2,5	2,5	5	5	5	5	VA
		2,5	5	5	5	5	5	5	5	5	10	10	10	10	
		10	10	10	10	10	10	10	10	10	10	10	10	10	
		15	15	15	15	15	15	15	15	15	15	15	15	15	
0,2	2,5	2,5	2,5	2,5	2,5	2,5	2,5	2,5	2,5	5	5	5	5	VA	
	5	5	5	5	5	5	5	5	5	10	10	10	10		
	10	10	10	10	10	10	10	10	10	10	10	10	10		
	15	15	15	15	15	15	15	15	15	15	15	15	15		
0,2S	2,5	2,5	2,5	2,5	2,5	2,5	2,5	2,5	2,5	5	5	5	5	VA	
	5	5	5	5	5	5	5	5	5	10	10	10	10		
	10	10	10	10	10	10	10	10	10	10	10	10	10		
	15	15	15	15	15	15	15	15	15	15	15	15	15		



dark marked fields = conformity assessment possible for billing purposes. These approved current transformers have the national certificates for germany.

included:



1 pieces primary rail clamps mit 2x screws M5x55  
 2 pieces terminal cover (yellow sliders)  
 2 pieces feet

options:



2 pcs. DIN-rail mounting  
 2 pcs. caps for primary fixing bolts