



**current transformer
(E) 9A615.3**

rail: 63x15mm
2x50x10mm
40x40mm

cable: 53mm

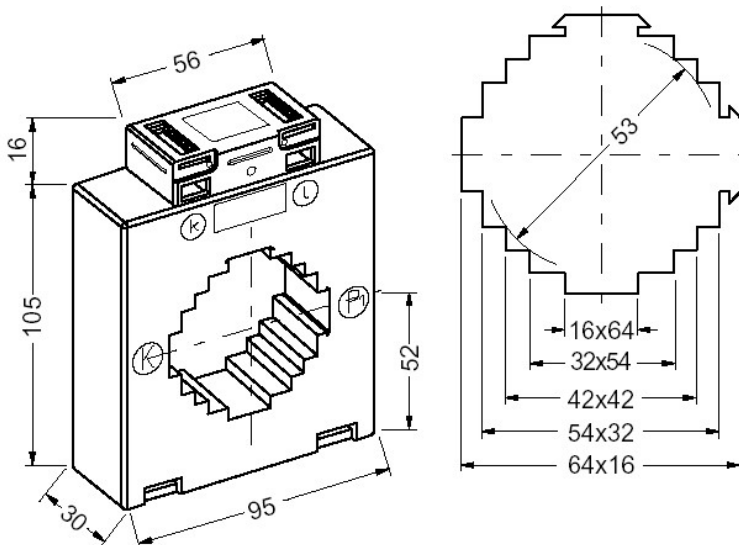
standards	IEC185, IEC44-1, DIN VDE 0414 part 1, HD553 S2, VDE1000, DIN42600, VBG4, VDE0106 part 100		
housing	polycarbonate, flame retardant according to UL 94		
terminals	double nickel-plated secondary terminals with plus-minus screws (0,5Nm)		
frequency	50.....60Hz (other on request)		
insulation class	E (other on request)		
thermal short-time current	$I_{th} = 60 \times I_{pr}$ for 1 second		
rated dynamic current	$I_{dyn} = 2,5 \times I_{th}$ (minimum 100kA for all current transformers)		
max.operating voltage	$U_m = 0,72kV$ (other on request)		
test voltage	4kV / minute (other on request)		
current limiting factor	FS5 or FS10		
rated continuous thermal current	$I_D = 1,2 \times I_n$ according to VDE 0414 (unless otherwise stated)		
secondary current	5A or 1A		
in the delivery included:	terminal cover for secondary terminals	feets	primary rail clamps

options:

- DIN-rail mounting according to EN50022-35 or DIN 46277
- protective caps for primary rail fastening screws
- copper tube in different sizes

(E) 9A615.3			
primary current	secondary current	class	power
250 – 2500A	5A oder 1A	0,2S-0,2-0,5S-0,5-1	2,5 – 20VA

dimensions



I _{cr}	KI.	primary rated current I _{pr}														A			
		200	250	300	400	500	600	750	800	1000	1250	1500	1600	2000	2500				
5A	1	2,5	2,5	2,5	2,5	5	5	5	5	5	5	5	5	5	5	5	VA		
		3,75	5	5	5	10	10	10	10	10	10	10	10	10	10	10			
			7,5	10	10	15	15	15	15	15	15	15	15	15	15	15			
					15	20	20	20	20	20	20	20	30	30	20	20			
	0,5	2,5	2,5	2,5	2,5	2,5	2,5	5	5	5	5	5	5	5	5	5			
			5	5	5	5	5	10	10	10	10	10	10	10	10	10			
					10	10	10	15	15	15	15	15	15	15	15	15			
					15	15	20	20	20	20	20	30	30	20	20	20			
	0,5S			2,5	2,5	2,5	2,5	5	5	5	5	5	5	5	5	5			
					5	5	5	10	10	10	10	10	10	10	10	10			
						10	10	15	15	15	15	15	15	15	15	15			
										20	20	30	30	20	20	20			
	0,2				2,5	2,5	2,5	2,5	2,5	5	5	5	5	5	5	5			
						5	5	5	5	10	10	10	10	10	10	10			
							10	10	10	15	15	15	15	15	15	15			
										20	20	30	30	20	20	20			
	0,2S									2,5	5	5	5	5	5	5			
										5	10	10	10	10	10	10			
											15	15	15	15	15	15			
												20	20	20	20	20			
	1A	1	2,5	2,5	2,5	2,5	2,5	2,5	5	5	5	5	5	5	5			VA	
			3,75	5	5	5	5	5	10	10	10	10	10	10	10				
				7,5	10	10	10	10	15	15	15	15	15	15	15	15			
							15	20	20	20	20	20				20			
0,5		2,5	2,5	2,5	2,5	2,5	2,5	5	5	5	5	5	5	5	5				
				5	5	5	5	10	10	10	10	10	10	10	10				
					7,5	10	10	15	15	15	15	15	15	15	15				
										20	20				20				
0,5S				2,5	2,5	2,5	2,5	5	5	5	5	5	5	5	5				
					5	5	5	10	10	10	10	10	10	10	10				
								15	15	15	15	15	15	15	15				
									20	20	20				20				
0,2					2,5	2,5	2,5	2,5	2,5	5	5	5	5	5	5				
						5	5	5	5	10	10	10	10	10	10				
							10	10	10	15	15	15	15	15	15				
										20	20								
0,2S										2,5	5	5	5	5	5				
										5	10	10	10	10	10				
											15	15	15	15	15				
												20	20	20	20				



dark marked fields = conformity assessment possible for billing purposes. These approved current transformers have the national certificates for germany.

included:



- 1 pieces primary rail clamps mit 2x screws M5x55
- 2 pieces terminal cover (yellow sliders)
- 2 pieces feet

options:



- 2 pcs. DIN-rail mounting
- 2 pcs. caps for primary fixing bolts