

## contact meter

MIN. / MAX. | MAX./MAX. | MIN./MIN.



2 alarm threshold  
96x96 - DIN 43700  
class 1.5

### general

aux.supply:

burden:

weight:

relay:

max.interruption power with resistive load:

standard: 230V +/- 10% bei 45/65Hz, other on request

3VA

ca. 0,5Kg

2kVA ( 8A, 250V )

KANAL I output: Einstellung des Minimalwertes | Maximalwertes

KANAL II output: Einstellung des Minimalwertes | Maximalwertes

### signalling data:

adjustments by 2 frontal buttons. The limit value is indicated by means of a light bar with 41 LEDs

accuracy

+/-5% between 25% and 75% of the lower scale value

+/-15% between 0 and 25% of min.-values and between 75% and 100% of max.-value

hysteresis:

< 1% of the scale

delay time selection:

from 1 to 15 seconds, accuracy: +/- 20%, +/- 2Sec. Adjustable via DIP switch behind the glass

adjustment point accuracy:

+/- 1%

### threshold:

AL1 = Min. | AL2 = Max. - AL1 = Max. | AL2 = Max. AL1 = Min. | AL2 = Min.

### setting limit values:

The limit value is represented by a LED light bar. Limit values are easy to set using the two push buttons on the front.

Hold the button down until the desired limit value is reached.

The MIN contact runs from bottom to top, with the MAX contact the limit value runs from top to bottom.

### ranges:

AC voltage:

Standard: 600V AC – other on request

DC voltage:

Standard: 1 | 10 | 50 | 100 | 300 | 600V DC – other on request

AC current:

Standard: 5A AC – 1A on request

DC current:

Standard: 1 | 20 | 4-20mA DC – other on request

frequency:

Standard: 45...65Hz – other on request

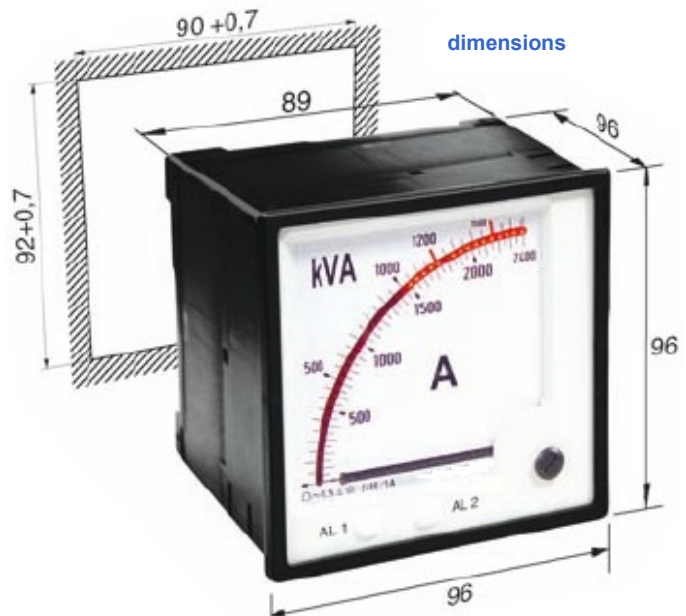
Standard: 60mV DC for connection on shunt

power factor meter: on request

on request

watt-/warmeter: on request

on request

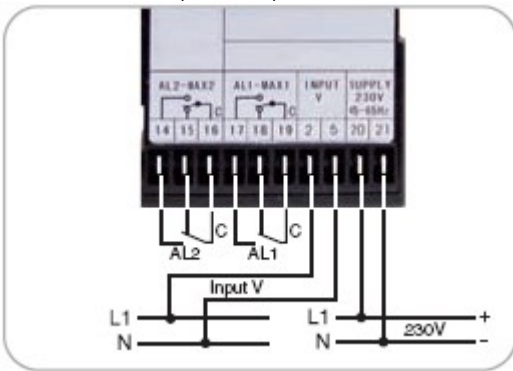


delay time selection:

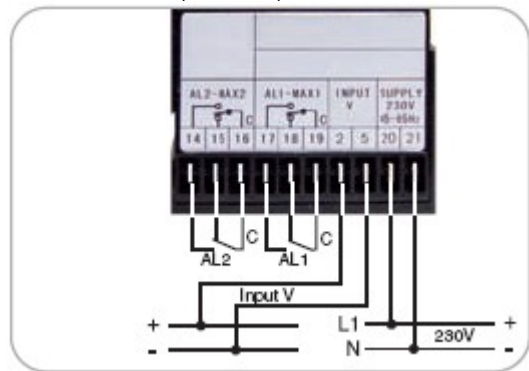
1 2 3 4		AL 1=1sec AL 2=1sec		1 2 3 4		AL 1=3sec AL 2=5sec		1 2 3 4		AL 1=15sec AL 2=1sec	
ON	■	■	■	ON	■	■	■	ON	■	■	■
OFF	■	■	■	OFF	■	■	■	OFF	■	■	■
ON	■	■	■	ON	■	■	■	ON	■	■	■
OFF	■	■	■	OFF	■	■	■	OFF	■	■	■
ON	■	■	■	ON	■	■	■	ON	■	■	■
OFF	■	■	■	OFF	■	■	■	OFF	■	■	■
ON	■	■	■	ON	■	■	■	ON	■	■	■
OFF	■	■	■	OFF	■	■	■	OFF	■	■	■
ON	■	■	■	ON	■	■	■	ON	■	■	■
OFF	■	■	■	OFF	■	■	■	OFF	■	■	■
ON	■	■	■	ON	■	■	■	ON	■	■	■
OFF	■	■	■	OFF	■	■	■	OFF	■	■	■

connection

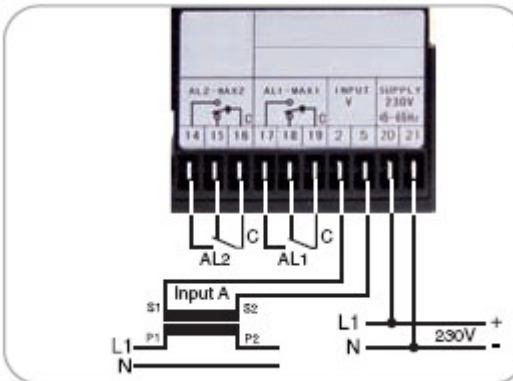
AC - voltmeter (MI96C...)



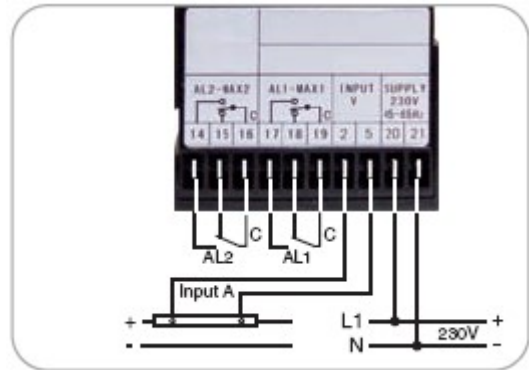
DC - voltmeter (MC96C...)



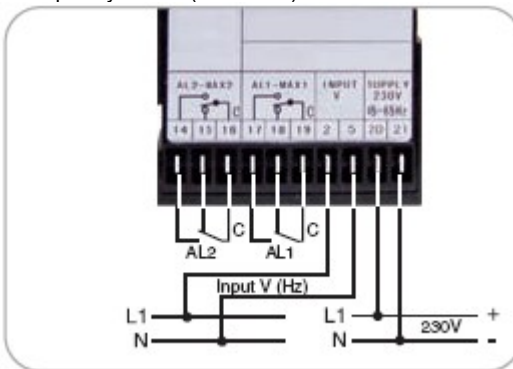
AC - ammeter (MI96CA...)



DC - ammeter MC96CA...)



frequency meter (MF96C...)



with external transducer we are able to deliver that kind of instruments as power factor meter or as wattmeter and varmeter.