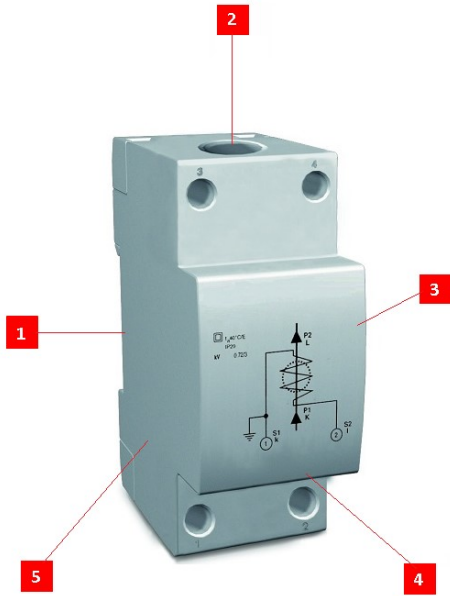


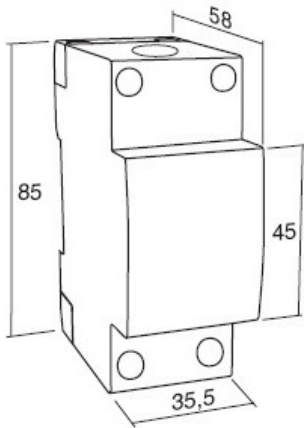
current-transformer
TD15



- 1. DIN-rail mounting
- 2. cableØ 15 mm
- 3. small design, only 35,5mm
- 4. primary current from 40 to 150A
- 5. distribution installation

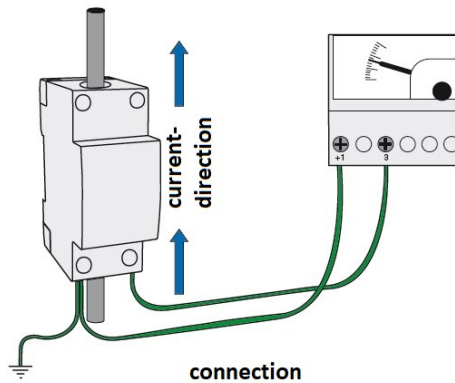
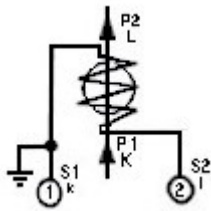
type	dimensions mm	whole mm	primary- current A	secondary- current A	power VA	class
------	------------------	-------------	--------------------------	----------------------------	-------------	-------

TD15



Kabel-Ø
15

50	5A or 1A	2	3
60	5A or 1A	2	3
75	5A or 1A	3	3
80	5A or 1A	3	3
100	5A or 1A	3	1
125	5A or 1A	5	1
150	5A or 1A	5	1



connection