



current transformer
TM 1

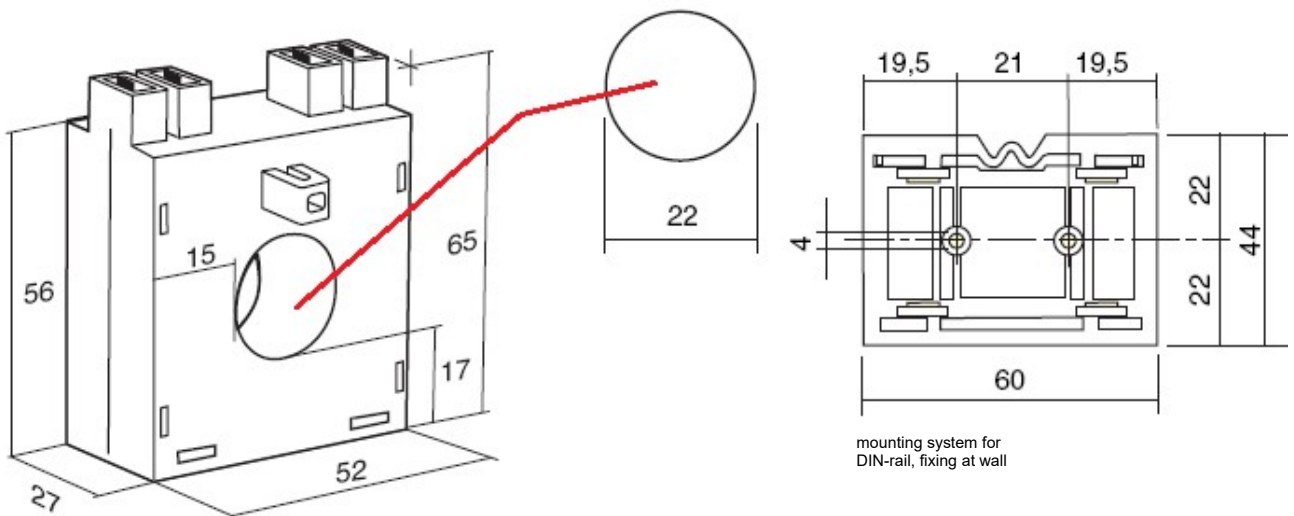
rail: ----- mm

cable: Ø20mm

standards	IEC185, according to the new IEC61869-1 und IEC 61869-2	
housing	book-proof plastic case (ABS-V0) , flame retardant according to UL 94	
terminals	secondary terminals for flat-pin 6,3mm	
frequency	50.....60Hz	
insulation class	E (IEC185)	
thermic short circuit current	$I_{th} = 40 \times I_n$ für 1sec.	
dynamic short circuit current	$I_{dyn} = 2,5 \times I_{th}$ für 1 sec.	
max.service voltage	for insulation $U_m = 0,72kV$	
testing voltage	3kV / minute	
instrument security factor	FS5 to FS10	
operating conditions	room temperature: -20°C to +40°C	temperature on the bars: max. +70°C
secondary current	5A or 1A	

TM1			
primary current	secondary current	class	power
30A – 250A	5A or 1A	3,0 to 0,5	0,5VA to 4VA

dimensions



current transformer for measurement

Primary current	Class	Power	Secondary current	Secondary current	Weight
A		VA	5A	1A	Kg
30	3	0.5	TM1-030A5-3-0.5VA	TM1-030A1-3-0.5VA	0,20
40	3	1.3	TM1-040A5-3-1.3VA	TM1-040A1-3-1.3VA	0,20
50	3	1.5	TM1-050A5-3-1.5VA	TM1-050A1-3-1.5VA	0,20
60	3	1.5	TM1-060A5-3-1.5VA	TM1-060A1-3-1.5VA	0,20
75	3	1.5	TM1-075A5-3-1.5VA	TM1-075A1-3-1.5VA	0,20
80	3	2	TM1-080A5-3-2VA	TM1-080A1-3-2VA	0,20
100	1	2	TM1-100A5-1-2VA	TM1-100A1-1-2VA	0,20
120	1	3	TM1-120A5-1-3VA	TM1-120A1-1-3VA	0,20
125	1	3	TM1-125A5-1-3VA	TM1-125A1-1-3VA	0,20
150	1	4	TM1-150A5-1-4VA	TM1-150A1-1-4VA	0,20
200	0.5	3	TM1-200A5-0.5-3VA	TM1-200A1-0.5-3VA	0,20
250	0.5	3	TM1-250A5-0.5-3VA	TM1-250A1-0.5-3VA	0,20

current transformers electronic use

Primary current	Class	Code	Secondary current	Power	Turns number	Resistance (Ohms)	Secondary voltage (VAC)	Weight
A			A	VA	S1-S2	Ru	Vu	Kg
25	2	TM1EL-025A0.05-2-0.2VA	0,05	0,2	500	40	2	0,2
25	2,5	TM1EL-025A0.20-2.5-0.6VA	0,20	0,6	125	10	2	0,2
50	1	TM1EL-050A0.05-1-0.2VA	0,05	0,2	1000	80	4	0,2
50	1,5	TM1EL-050A0.20-1.5-0.6VA	0,20	0,6	250	10	4	0,2
100	0,4	TM1EL-100A0.10-0.4-1.25VA	0,10	1,25	1000	20	2	0,2
100	0,8	TM1EL-100A0.20-0.8-4VA	0,20	4	500	20	4	0,2
200	0,5	TM1EL-200A0.20-0.5-4VA	0,20	4	1000	20	4	0,2
200	1	TM1EL-200A0.40-1-4VA	0,40	4	500	20	8	0,2
300	0,3	TM1EL-300A0.20-0.3-4VA	0,20	4	1500	20	4	0,2
400	0,2	TM1EL-400A0.20-0.2-4VA	0,20	4	2000	20	4	0,2
400	0,4	TM1EL-400A0.40-0.4-4VA	0,40	4	1000	20	8	0,2
600	0,5	TM1EL-600A0.20-0.5-4VA	0,20	4	3000	20	4	0,2
600	0,2	TM1EL-600A0.40-0.2-4VA	0,40	4	1500	20	8	0,2