



**current transformer  
TM5**

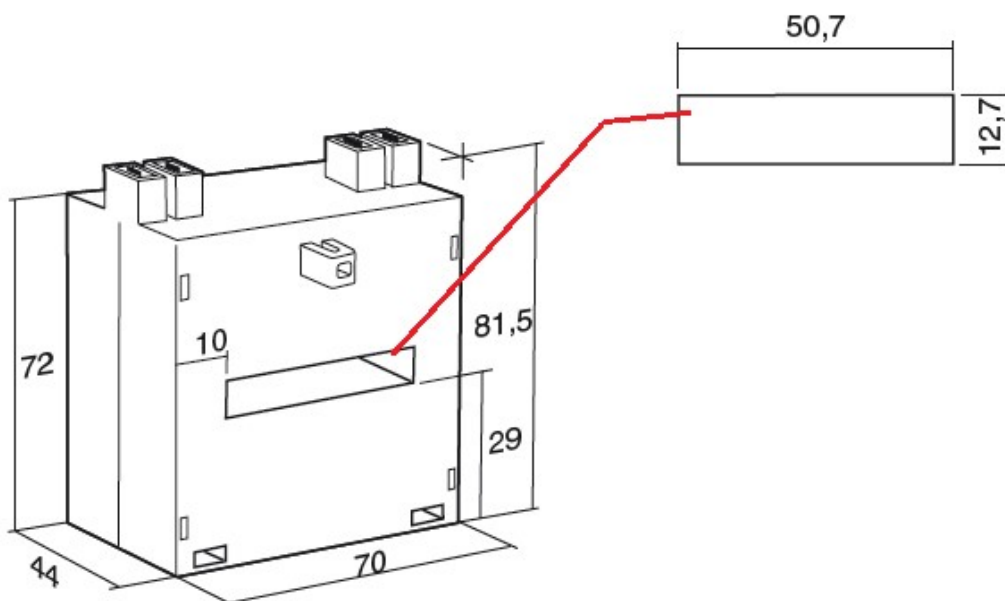
rail: 50x10mm

cable: -----

standards	IEC185, according to the new IEC61869-1 und IEC 61869-2	
housing	book-proof plastic case (ABS-V0) , flame retardant according to UL 94	
terminals	secondary terminals for flat-pin 6,3mm	
frequency	50.....60Hz	
insulation class	E ( IEC185 )	
thermic short circuit current	$I_{th} = 40 \times I_n$ für 1sec.	
dynamic short circuit current	$I_{dyn} = 2,5 \times I_{th}$ für 1 sec.	
max.service voltage	for insulation $U_m = 0,72kV$	
testing voltage	3kV / minute	
instrument security factor	FS5 to FS10	
operating conditions	room temperature: -20°C to +40°C	temperature on the bars: max. +70°C
secondary current	5A or 1A	

TM5			
primary current	secondary current	class	power
150A – 1200A	5A or 1A	1 / 0,5	2VA to 10VA

## dimensions



## current transformer for measurements

Primary current	Class	Power	Secondary current	Secondary current	Weight
<b>A</b>		<b>VA</b>	<b>5A</b>	<b>1A</b>	<b>Kg</b>
150	1	2	TM5-150A5-1-2VA	TM5-150A1-1-2VA	0,40
200	1	2	TM5-200A5-1-2VA	TM5-200A1-1-2VA	0,40
250	1	3	TM5-250A5-1-3VA	TM5-250A1-1-3VA	0,40
300	0.5	3	TM5-300A5-0.5-3VA	TM5-300A1-0.5-3VA	0,40
400	0.5	4	TM5-400A5-0.5-4VA	TM5-400A1-0.5-4VA	0,40
500	0.5	6	TM5-500A5-0.5-6VA	TM5-500A1-0.5-6VA	0,30
600	0.5	6	TM5-600A5-0.5-6VA	TM5-600A1-0.5-6VA	0,30
750	0.5	6	TM5-750A5-0.5-6VA	TM5-750A1-0.5-6VA	0,30
800	0.5	10	TM5-800A5-0.5-10VA	TM5-800A1-0.5-10VA	0,30
1000	0.5	10	TM5-1K0A5-0.5-10VA	TM5-1K0A1-0.5-10VA	
1200	0.5	10	TM5-1K2A5-0.5-10VA	TM5-1K2A1-0.5-10VA	