



**current transformers
TM6**

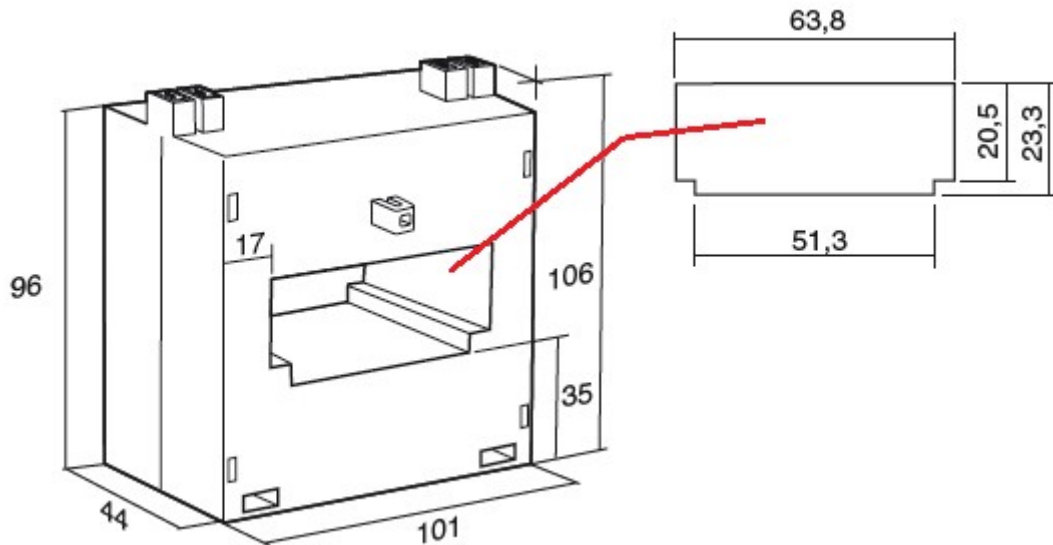
rail: 63x20mm
50x23mm

cable: 2x 22mm

standards	IEC185, according to the new IEC61869-1 und IEC 61869-2	
housing	book-proof plastic case (ABS-V0) , flame retardant according to UL 94	
terminals	secondary terminals for flat-pin 6,3mm	
frequency	50.....60Hz	
insulation class	E (IEC185)	
thermic short circuit current	$I_{th} = 40 \times I_n$ für 1sec.	
dynamic short circuit current	$I_{dyn} = 2,5 \times I_{th}$ für 1 sec.	
max.service voltage	for insulation $U_m = 0,72kV$	
testing voltage	3kV / minute	
instrument security factor	FS5 to FS10	
operating conditions	room temperature: -20°C to +40°C	temperature on the bars: max. +70°C
secondary current	5A or 1A	

TM6			
primary current	secondary current	class	power
300A – 2000A	5A or 1A	0,5	4VA to 20VA

dimensions



current transformer for measurements

Primary current	Class	Power	Secondary current	Secondary current	Weight
A		VA	5A	1A	Kg
300	0.5	4	TM6-300A5-0.5-4VA	TM6-300A1-0.5-4VA	0,50
400	0.5	6	TM6-400A5-0.5-6VA	TM6-400A1-0.5-6VA	0,50
500	0.5	6	TM6-500A5-0.5-6VA	TM6-500A1-0.5-6VA	0,50
600	0.5	6	TM6-600A5-0.5-6VA	TM6-600A1-0.5-6VA	0,60
750	0.5	6	TM6-750A5-0.5-6VA	TM6-750A1-0.5-6VA	0,60
800	0.5	10	TM6-800A5-0.5-10VA	TM6-800A1-0.5-10VA	0,60
1000	0.5	10	TM6-1K0A5-0.5-10VA	TM6-1K0A1-0.5-10VA	0,60
1200	0.5	15	TM6-1K2A5-0.5-15VA	TM6-1K2A1-0.5-15VA	0,60
1250	0.5	15	TM6-1K25A5-0.5-15VA	TM6-1K25A1-0.5-15VA	0,60
1500	0.5	20	TM6-1K5A5-0.5-20VA	TM6-1K5A1-0.5-20VA	0,80
1600	0.5	20	TM6-1K6A5-0.5-20VA	TM6-1K6A1-0.5-20VA	0,80
2000	0.5	20	TM6-2K0A5-0.5-20VA	TM6-2K0A1-0.5-20VA	0,80

current transformers electronic use

Primary current	Class	Code	Secondary current	Power	Turns number	Resistance (Ohms)	Secondary voltage (VAC)	Weight
A			A	VA	S1-S2	Ru	Vu	Kg
250	1	TM6EL-250A0.05-1-1VA	0,05	1	5000			0,40
600	0.5	TM6EL-600A0.20-0.5-3VA	0,20	3	3000			0,40
1000	0.5	TM6EL-1K0A0.20-0.5-5VA	0,20	5	5000			0,40
1000	0.5	TM6EL-1K0A0.20-0.5-5VA-T	0,20	5	5000			0,40
1500	0.5	TM6EL-1K5A0.20-0.5-5VA	0,20	5	7500			0,40
1500	0.5	TM6EL-1K5A0.20-0.5-5VA-T	0,20	5	7500			0,40

-T = Housing resistant to high temperatures