



current transformer
TR1

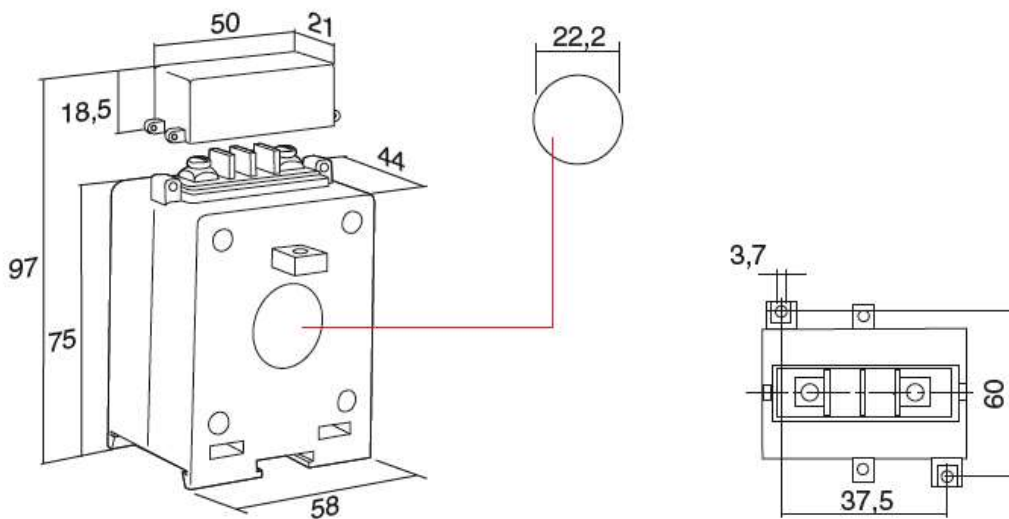
rail: ----

cable: Ø21mm

standards	IEC185, according to the new IEC61869-1 und IEC 61869-2	
housing	book-proof plastic case (ABS-V0) , flame retardant according to UL 94	
terminals	secondary terminals with screws M4x6	
frequency	50.....60Hz	
insulation class	E (IEC185)	
thermic short circuit current	$I_{th} = 40 \times I_n$ für 1sec.	
dynamic short circuit current	$I_{dyn} = 2,5 \times I_{th}$ für 1 sec.	
max.service voltage	for insulation $U_m = 0,72kV$ (on request 1,2kV)	
testing voltage	3kV for 1 minute (on request 6kV)	
instrument security factor	FS5 to FS10	
operating conditions	room temperature: -20°C to +40°C	temperature on the bars: max. +70°C
secondary current	5A or 1A	

TR1			
primary current	secondary current	class	power
40 – 250A	5A oder 1A	3,0 bis 0,5	2 – 5VA

dimensions



current transformer for measurements

Primary current	Class	Power	Secondary current	Secondary current	Weight
A		VA	5A	1A	Kg
40	3	2	TR1-040A5-3-2VA	TR1-040A1-3-2VA	0,30
50	3	2	TR1-050A5-3-2VA	TR1-050A1-3-2VA	0,30
60	3	3	TR1-060A5-3-3VA	TR1-060A1-3-3VA	0,30
75	3	3	TR1-075A5-3-3VA	TR1-075A1-3-3VA	0,30
80	3	3	TR1-080A5-3-3VA	TR1-080A1-3-3VA	0,30
100	1	3	TR1-100A5-1-3VA	TR1-100A1-1-3VA	0,30
120	1	3	TR1-120A5-1-3VA	TR1-120A1-1-3VA	0,30
125	0.5	2	TR1-125A5-0.5-2VA	TR1-125A1-0.5-2VA	0,30
150	0.5	3	TR1-150A5-0.5-3VA	TR1-150A1-0.5-3VA	0,30
200	0.5	3	TR1-200A5-0.5-3VA	TR1-200A1-0.5-3VA	0,30
250	0.5	5	TR1-250A5-0.5-5VA	TR1-250A1-0.5-5VA	0,30

current transformers double ratio

Primary current	Class	Power	Secondary current	Secondary current	Weight
A		VA	5A	1A	Kg
40-80	3	2-3	TR1D-080A5-3-2VA3	TR1D-080A1-3-2VA3	0,60
50-100	3	2-3	TR1D-100A5-3-2VA3	TR1D-100A1-3-2VA3	0,60
60-120	3	3-3	TR1D-120A5-3-3VA3	TR1D-120A1-3-3VA3	0,60
75-150	3	3-3	TR1D-150A5-3-3VA3	TR1D-150A1-3-3VA3	0,60
80-160	3	3-3	TR1D-160A5-3-3VA3	TR1D-160A1-3-3VA3	0,60
100-200	1-0.5	3-3	TR1D-200A5-105-3VA3	TR1D-200A1-105-3VA3	0,60
120-240	1-0.5	3-3	TR1D-240A5-105-3VA3	TR1D-240A1-105-3VA3	0,60
125-250	0.5-0.5	2-5	TR1D-250A5-0505-2VA5	TR1D-250A1-0505-2VA5	0,60
150-300	0.5-0.5	3-5	TR1D-300A5-0505-3VA5	TR1D-300A1-0505-3VA5	0,60
200-400	0.5-0.5	3-5	TR1D-400A5-0505-3VA5	TR1D-400A1-0505-3VA5	0,60
250-500	0.5-0.5	5-5	TR1D-500A5-0505-5VA5	TR1D-500A1-0505-5VA5	0,60

included:

2 screws for mounting on rail/cable

2x screws for secondary terminals M4x6

1x terminal cover for secondary terminals

1x mounting with feet's (2 pieces)

1x mounting system for DIN rail EN50022-35

