



**current transformer  
TR12**

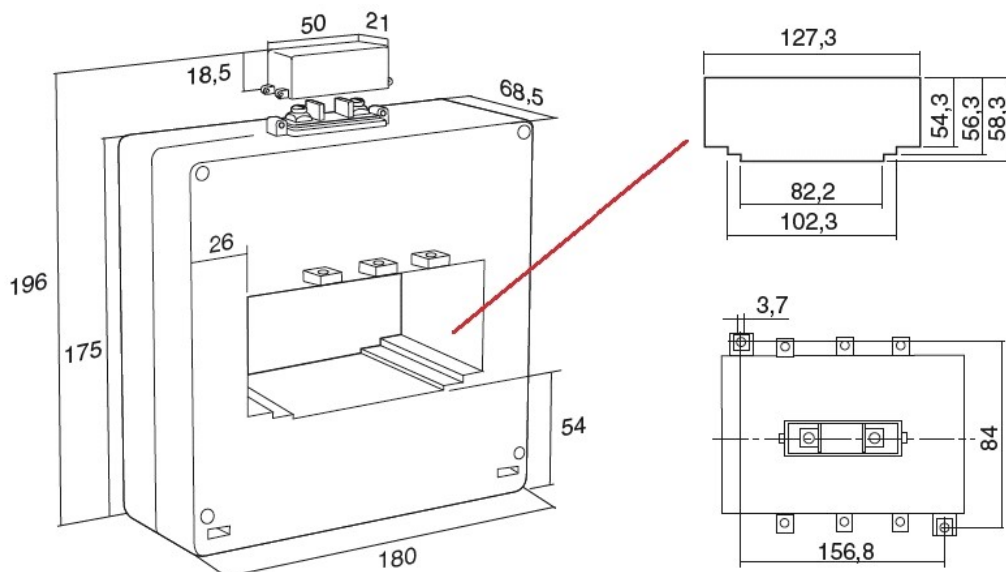
rail: 125x50mm  
100x50mm  
80x50mm

Cable: 2x Ø50mm

standards	IEC185, according to the new IEC61869-1 und IEC 61869-2
housing	book-proof plastic case (ABS-V0) , flame retardant according to UL 94
terminals	secondary terminals with screws M4x6
frequency	50.....60Hz
insulation class	E ( IEC185 )
thermic short circuit current	$I_{th} = 40 \times I_n$ für 1sec.
dynamic short circuit current	$I_{dyn} = 2,5 \times I_{th}$ für 1 sec.
max.service voltage	for insulation $U_m = 0,72kV$ (on request 1,2kV)
testing voltage	3kV for 1 minute (on request 6kV)
instrument security factor	FS5 to FS10
operating conditions	room temperature: -20°C to +40°C      temperature on the bars: max. +70°C
secondary current	5A or 1A

TR12			
primary current	secondary current	class	power
500 – 4000A	5A oder 1A	0,5   5P5   5P10	3VA bis 20VA

## dimensions



## current transformer for measurements

Primary current	Class	Power	Secondary current	Secondary current	Weight
A		VA	5A	1A	Kg
500	0.5	10	TR12-500A5-0.5-10VA	TR12-500A1-0.5-10VA	1,50
600	0.5	10	TR12-600A5-0.5-10VA	TR12-600A1-0.5-10VA	1,50
750	0.5	10	TR12-750A5-0.5-10VA	TR12-750A1-0.5-10VA	1,50
800	0.5	15	TR12-800A5-0.5-15VA	TR12-800A1-0.5-15VA	1,50
1000	0.5	20	TR12-1K0A5-0.5-20VA	TR12-1K0A1-0.5-20VA	1,50
1200	0.5	20	TR12-1K2A5-0.5-20VA	TR12-1K2A1-0.5-20VA	1,50
1250	0.5	20	TR12-1K25A5-0.5-20VA	TR12-1K25A1-0.5-20VA	1,50
1500	0.5	20	TR12-1K5A5-0.5-20VA	TR12-1K5A1-0.5-20VA	1,50

Primary current	Class	Power	Secondary current	Secondary current	Weight
A		VA	5A	1A	Kg
1600	0.5	20	TR12-1K6A5-0.5-20VA	TR12-1K6A1-0.5-20VA	1,50
2000	0.5	30	TR12-2K0A5-0.5-30VA	TR12-2K0A1-0.5-30VA	1,60
2500	0.5	40	TR12-2K5A5-0.5-40VA	TR12-2K5A1-0.5-40VA	1,60
3000	0.5	40	TR12-3K0A5-0.5-40VA	TR12-3K0A1-0.5-40VA	1,60
3200	0.5	40	TR12-3K2A5-0.5-40VA	TR12-3K2A1-0.5-40VA	1,60
3500	0.5	40	TR12-3K5A5-0.5-40VA	TR12-3K5A1-0.5-40VA	1,60
4000	0.5	50	TR12-4K0A5-0.5-50VA	TR12-4K0A1-0.5-50VA	2,00

## protection current transformers

Primary current	Class	Power	Secondary current	Secondary current	Weight
A		VA	5A	1A	Kg
400	5P5	10	TR12P-400A5-5P5-10VA	TR12P-400A1-5P5-10VA	2,00
400	5P10	4,5	TR12P-400A5-5P10-4.5VA	TR12P-400A1-5P10-4.5VA	2,00
400	5P15	2,5	TR12P-400A5-5P15-2.5VA	TR12P-400A1-5P15-2.5VA	2,00
400	5P20	1	TR12P-400A5-5P20-1VA	TR12P-400A1-5P20-1VA	2,00
500	5P5	15	TR12P-500A5-5P5-15VA	TR12P-500A1-5P5-15VA	2,00
500	5P10	6	TR12P-500A5-5P10-6VA	TR12P-500A1-5P10-6VA	2,00
500	5P15	3	TR12P-500A5-5P15-3VA	TR12P-500A1-5P15-3VA	2,00
500	5P20	2	TR12P-500A5-5P20-2VA	TR12P-500A1-5P20-2VA	2,00
600	5P5	16	TR12P-600A5-5P5-16VA	TR12P-600A1-5P5-16VA	2,20
600	5P10	7	TR12P-600A5-5P10-7VA	TR12P-600A1-5P10-7VA	2,20
600	5P15	4	TR12P-600A5-5P15-4VA	TR12P-600A1-5P15-4VA	2,20
600	5P20	2	TR12P-600A5-5P20-2VA	TR12P-600A1-5P20-2VA	2,20
750	5P5	20	TR12P-750A5-5P5-20VA	TR12P-750A1-5P5-20VA	2,20
750	5P10	8	TR12P-750A5-5P10-8VA	TR12P-750A1-5P10-8VA	2,20
750	5P15	4	TR12P-750A5-5P15-4VA	TR12P-750A1-5P15-4VA	2,20
750	5P20	2	TR12P-750A5-5P20-2VA	TR12P-750A1-5P20-2VA	2,20
800	5P5	20	TR12P-800A5-5P5-20VA	TR12P-800A1-5P5-20VA	2,20
800	5P10	8	TR12P-800A5-5P10-8VA	TR12P-800A1-5P10-8VA	2,20
800	5P15	6	TR12P-800A5-5P15-6VA	TR12P-800A1-5P15-6VA	2,20
800	5P20	3	TR12P-800A5-5P20-3VA	TR12P-800A1-5P20-3VA	2,20
1000	5P5	20	TR12P-1K0A5-5P5-20VA	TR12P-1K0A1-5P5-20VA	2,20
1000	5P10	12	TR12P-1K0A5-5P10-12VA	TR12P-1K0A1-5P10-12VA	2,20
1000	5P15	6	TR12P-1K0A5-5P15-6VA	TR12P-1K0A1-5P15-6VA	2,20
1000	5P20	2	TR12P-1K0A5-5P20-2VA	TR12P-1K0A1-5P20-2VA	2,20
1200	5P5	30	TR12P-1K2A5-5P5-30VA	TR12P-1K2A1-5P5-30VA	2,40
1200	5P10	15	TR12P-1K2A5-5P10-15VA	TR12P-1K2A1-5P10-15VA	2,40
1200	5P15	8	TR12P-1K2A5-5P15-8VA	TR12P-1K2A1-5P15-8VA	2,40
1200	5P20	4	TR12P-1K2A5-5P20-4VA	TR12P-1K2A1-5P20-4VA	2,40

Primary current	Class	Power	Secondary current	Secondary current	Weight
A		VA	5A	1A	Kg
1250	5P5	30	TR12P-1K25A5-5P5-30VA	TR12P-1K25A1-5P5-30VA	2,40
1250	5P10	15	TR12P-1K25A5-5P10-15VA	TR12P-1K25A1-5P10-15VA	2,40
1250	5P15	8	TR12P-1K25A5-5P15-8VA	TR12P-1K25A1-5P15-8VA	2,40
1250	5P20	4	TR12P-1K25A5-5P20-4VA	TR12P-1K25A1-5P20-4VA	2,40
1500	5P5	40	TR12P-1K5A5-5P5-40VA	TR12P-1K5A1-5P5-40VA	2,50
1500	5P10	18	TR12P-1K5A5-5P10-18VA	TR12P-1K5A1-5P10-18VA	2,50
1500	5P15	10	TR12P-1K5A5-5P15-10VA	TR12P-1K5A1-5P15-10VA	2,50
1500	5P20	5	TR12P-1K5A5-5P20-5VA	TR12P-1K5A1-5P20-5VA	2,50
1600	5P5	40	TR12P-1K6A5-5P5-40VA	TR12P-1K6A1-5P5-40VA	2,50
1600	5P10	18	TR12P-1K6A5-5P10-18VA	TR12P-1K6A1-5P10-18VA	2,50
1600	5P15	10	TR12P-1K6A5-5P15-10VA	TR12P-1K6A1-5P15-10VA	2,50
1600	5P20	5	TR12P-1K6A5-5P20-5VA	TR12P-1K6A1-5P20-5VA	2,50
2000	5P5	50	TR12P-2K0A5-5P5-50VA	TR12P-2K0A1-5P5-50VA	2,80
2000	5P10	25	TR12P-2K0A5-5P10-25VA	TR12P-2K0A1-5P10-25VA	2,80
2000	5P15	12	TR12P-2K0A5-5P15-12VA	TR12P-2K0A1-5P15-12VA	2,80
2000	5P20	6	TR12P-2K0A5-5P20-6VA	TR12P-2K0A1-5P20-6VA	2,80
2500	5P5	75	TR12P-2K5A5-5P5-75VA	TR12P-2K5A1-5P5-75VA	3,00
2500	5P10	30	TR12P-2K5A5-5P10-30VA	TR12P-2K5A1-5P10-30VA	3,00
2500	5P15	15	TR12P-2K5A5-5P15-15VA	TR12P-2K5A1-5P15-15VA	3,00
2500	5P20	8	TR12P-2K5A5-5P20-8VA	TR12P-2K5A1-5P20-8VA	3,00
3000	5P5	40	TR12P-3K0A5-5P5-40VA	TR12P-3K0A1-5P5-40VA	3,00
3000	5P10	20	TR12P-3K0A5-5P10-20VA	TR12P-3K0A1-5P10-20VA	3,00
3000	5P15	15	TR12P-3K0A5-5P15-15VA	TR12P-3K0A1-5P15-15VA	3,00
3000	5P20	10	TR12P-3K0A5-5P20-10VA	TR12P-3K0A1-5P20-10VA	3,00
4000	5P5	50	TR12P-4K0A5-5P5-50VA	TR12P-4K0A1-5P5-50VA	3,00
4000	5P10	25	TR12P-4K0A5-5P10-25VA	TR12P-4K0A1-5P10-25VA	3,00
4000	5P15	15	TR12P-4K0A5-5P15-15VA	TR12P-4K0A1-5P15-15VA	3,00
4000	5P20	12	TR12P-4K0A5-5P20-12VA	TR12P-4K0A1-5P20-12VA	3,00

## double ratio current transformers

Primary current	Class	Power	Secondary current	Secondary current	Weight
A		VA	5A	1A	Kg
800-1600	0.5	15-20	TR12D-1K6A5-0.5-15VA20	TR12D-1K6A1-0.5-15VA20	1,50
1000-2000	0.5	20-30	TR12D-2K0A5-0.5-20VA30	TR12D-2K0A1-0.5-20VA30	1,50
1200-2400	0.5	20-40	TR12D-2K4A5-0.5-20VA40	TR12D-2K4A1-0.5-20VA40	1,50
1250-2500	0.5	20-40	TR12D-2K25A5-0.5-20VA40	TR12D-2K25A1-0.5-20VA40	1,50
1500-3000	0.5	20-40	TR12D-3K0A5-0.5-20VA40	TR12D-3K0A1-0.5-20VA40	2,00
2000-4000	0.5	30-50	TR12D-4K0A5-0.5-30VA50	TR12D-4K0A1-0.5-30VA50	2,00

included:

- 6x screws for mounting on rail/cable
- 2x screws for secondary terminals M4x6
- 1x terminal cover for secondary terminals
- 1x mounting with feet's (2 pieces)

