



**current transformer
TR4**

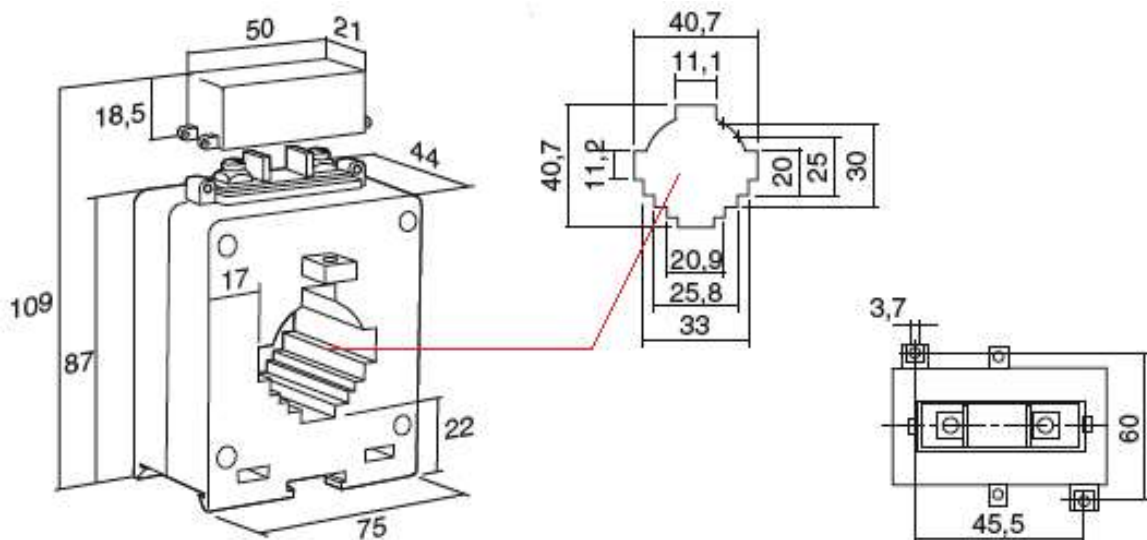
rail: 40x10mm
30x20mm

cable: Ø32mm

standards	IEC185, according to the new IEC61869-1 und IEC 61869-2		
housing	book-proof plastic case (ABS-V0) , flame retardant according to UL 94		
terminals	secondary terminals with screws M4x6		
frequency	50.....60Hz		
insulation class	E (IEC185)		
thermic short circuit current	$I_{th} = 40 \times I_n$ für 1sec.		
dynamic short circuit current	$I_{dyn} = 2,5 \times I_{th}$ für 1 sec.		
max.service voltage	for insulation $U_m = 0,72kV$ (on request 1,2kV)		
testing voltage	3kV for 1 minute (on request 6kV)		
instrument security factor	FS5 to FS10		
operating conditions	room temperature: -20°C to +40°C	temperature on the bars: max. +70°C	
secondary current	5A or 1A		

TR4			
primary current	secondary current	class	power
100 – 1000A	5A oder 1A	0,5	2,5VA bis 10VA

dimensions



current transformer for measurements

Primary current	Class	Power	Secondary current	Secondary current	Weight
A		VA	5A	1A	Kg
100	1	3	TR4-100A5-1-3VA	TR4-100A1-1-3VA	0,50
120	1	3	TR4-120A5-1-3VA	TR4-120A1-1-3VA	0,50
125	1	3	TR4-125A5-1-3VA	TR4-125A1-1-3VA	0,50
150	1	3	TR4-150A5-1-3VA	TR4-150A1-1-3VA	0,50
200	1	4	TR4-200A5-1-4VA	TR4-200A1-1-4VA	0,50
250	1	6	TR4-250A5-1-6VA	TR4-250A1-1-6VA	0,50
300	0.5	6	TR4-300A5-0.5-6VA	TR4-300A1-0.5-6VA	0,50
400	0.5	10	TR4-400A5-0.5-10VA	TR4-400A1-0.5-10VA	0,50
500	0.5	10	TR4-500A5-0.5-10VA	TR4-500A1-0.5-10VA	0,50
600	0.5	10	TR4-600A5-0.5-10VA	TR4-600A1-0.5-10VA	0,50
750	0.5	10	TR4-750A5-0.5-10VA	TR4-750A1-0.5-10VA	0,50
800	0.5	10	TR4-800A5-0.5-10VA	TR4-800A1-0.5-10VA	0,50
1000	0.5	10	TR4-1K0A5-0.5-10VA	TR4-1K0A1-0.5-10VA	0,50

double ratio current transformer

Primary current	Class	Power	Secondary current	Secondary current	Weight
A		VA	5A	1A	Kg
100-200	1	3-4	TR4D-200A5-1-3VA4	TR4D-200A1-1-3VA4	0,70
120-240	1	3-6	TR4D-240A5-1-3VA6	TR4D-240A1-1-3VA6	0,70
125-250	1	3-6	TR4D-250A5-1-3VA6	TR4D-250A1-1-3VA6	0,70
150-300	1-0.5	3-6	TR4D-300A5-105-3VA6	TR4D-300A1-105-3VA6	0,70
200-400	1-0.5	4-10	TR4D-400A5-105-4VA10	TR4D-400A1-105-4VA10	0,70
250-500	1-0.5	6-10	TR4D-500A5-105-6VA10	TR4D-500A1-105-6VA10	0,70
300-600	0.5	6-10	TR4D-600A5-0.5-6VA10	TR4D-600A1-0.5-6VA10	0,70
400-800	0.5	10-10	TR4D-800A5-0.5-10VA10	TR4D-800A1-0.5-10VA10	0,70

included:

2 screws for mounting on rail/cable

2x screws for secondary terminals M4x6

1x terminal cover for secondary terminals

1x mounting with feet's (2 pieces)

1x mounting system for DIN rail EN50022-35

