



**current transformer
TR43**

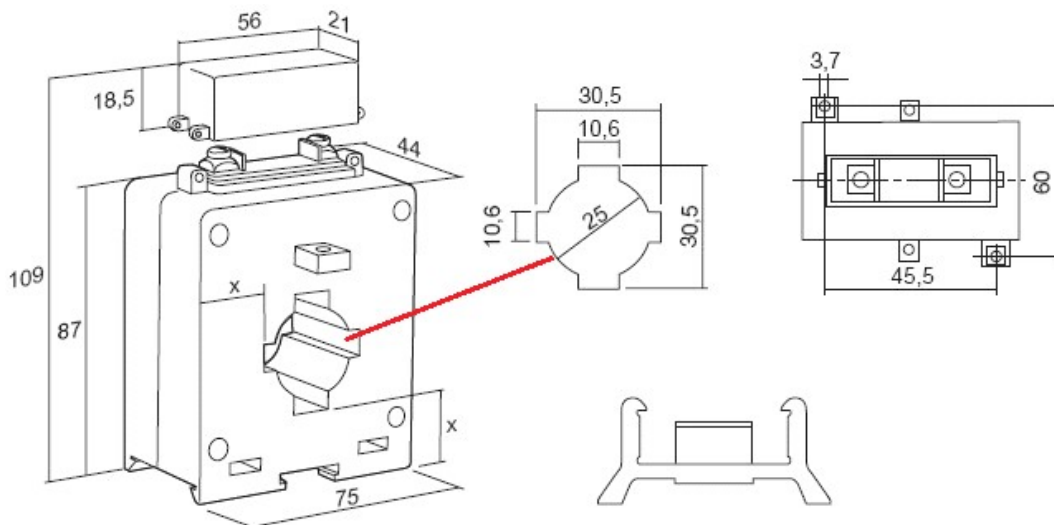
rail: 30x10mm

cable: Ø25mm

standards	IEC185, according to the new IEC61869-1 und IEC 61869-2		
housing	book-proof plastic case (ABS-V0) , flame retardant according to UL 94		
terminals	secondary terminals with screws M4x6		
frequency	50.....60Hz		
insulation class	E (IEC185)		
thermic short circuit current	$I_{th} = 40 \times I_n$ für 1sec.		
dynamic short circuit current	$I_{dyn} = 2,5 \times I_{th}$ für 1 sec.		
max.service voltage	for insulation $U_m = 0,72kV$ (on request 1,2kV)		
testing voltage	3kV for 1 minute (on request 6kV)		
instrument security factor	FS5 to FS10		
operating conditions	room temperature: -20°C to +40°C	temperature on the bars: max. +70°C	
secondary current	5A or 1A		

TR43			
primary current	secondary current	class	power
100 – 600A	5A oder 1A	1,0 bis 0,5	3VA bis 10VA

dimensions



current transformer for measurements

Primary current	Class	Power	Secondary current	Secondary current	Weight
A		VA	5A	1A	Kg
100	0.5	2,5	TR43-100A5-0.5-2.5VA	TR43-100A1-0.5-2.5VA	0,70
120	0.5	3	TR43-120A5-0.5-3VA	TR43-120A1-0.5-3VA	0,70
125	0.5	3	TR43-125A5-0.5-3VA	TR43-125A1-0.5-3VA	0,70
150	0.5	5	TR43-150A5-0.5-5VA	TR43-150A1-0.5-5VA	0,70
200	0.5	6	TR43-200A5-0.5-6VA	TR43-200A1-0.5-6VA	0,70
250	0.5	10	TR43-250A5-0.5-10VA	TR43-250A1-0.5-10VA	0,70
300	0.5	10	TR43-300A5-0.5-10VA	TR43-300A1-0.5-10VA	0,70
400	0.5	10	TR43-400A5-0.5-10VA	TR43-400A1-0.5-10VA	0,70
500	0.5	10	TR43-500A5-0.5-10VA	TR43-500A1-0.5-10VA	0,70
600	0.5	10	TR43-600A5-0.5-10VA	TR43-600A1-0.5-10VA	0,70

included:

2 screws for mounting on rail/cable

2x screws for secondary terminals M4x6

1x terminal cover for secondary terminals

1x mounting with feet's (2 pieces)

1x mounting system for DIN rail EN50022-35

