



**current transformer  
TR5**

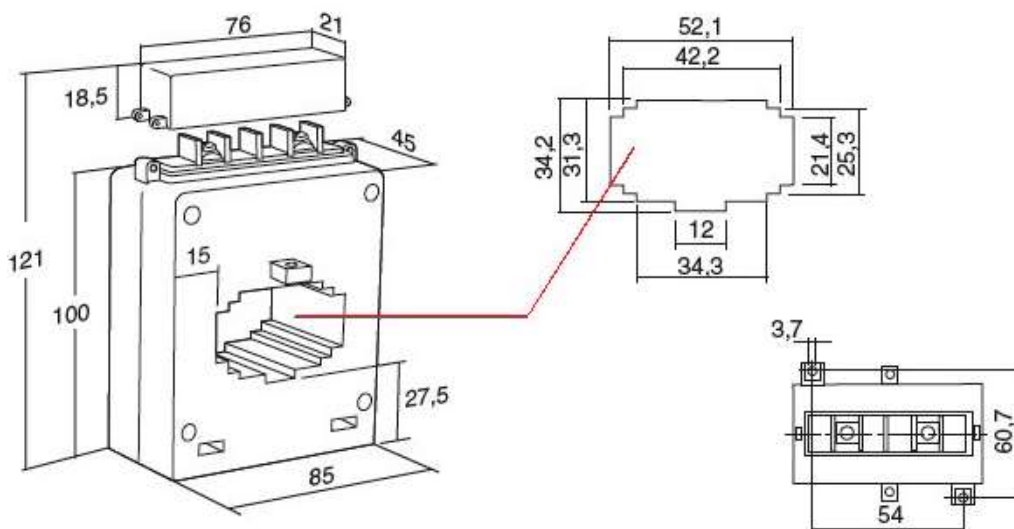
bus bar: 50x20mm  
40x25mm  
30x30mm

cable: Ø30mm

standards	IEC185, according to the new IEC61869-1 und IEC 61869-2	
housing	book-proof plastic case (ABS-V0) , flame retardant according to UL 94	
terminals	secondary terminals with screws M4x6	
frequency	50.....60Hz	
insulation class	E ( IEC185 )	
thermic short circuit current	$I_{th} = 40 \times I_n$ für 1sec.	
dynamic short circuit current	$I_{dyn} = 2,5 \times I_{th}$ für 1 sec.	
max.service voltage	for insulation $U_m = 0,72kV$ (on request 1,2kV)	
testing voltage	3kV for 1 minute (on request 6kV)	
instrument security factor	FS5 to FS10	
operating conditions	room temperature: -20°C to +40°C	temperature on the bars: max. +70°C
secondary current	5A or 1A	

TR5			
primary current	secondary current	class	power
100 – 2000A	5A oder 1A	1,0 bis 0,5	3VA bis 20VA

## dimensions



## current transformer for measurements

Primary current	Class	Power	Secondary current	Secondary current	Weight
A		VA	5A	1A	Kg
100	1	3	TR5-100A5-1-3VA	TR5-100A1-1-3VA	0,50
120	1	3	TR5-120A5-1-3VA	TR5-120A1-1-3VA	0,50
125	1	3	TR5-125A5-1-3VA	TR5-125A1-1-3VA	0,50
150	1	3	TR5-150A5-1-3VA	TR5-150A1-1-3VA	0,50
200	1	4	TR5-200A5-1-4VA	TR5-200A1-1-4VA	0,50
250	0.5	3	TR5-250A5-0.5-3VA	TR5-250A1-0.5-3VA	0,50
300	0.5	4	TR5-300A5-0.5-4VA	TR5-300A1-0.5-4VA	0,50
400	0.5	6	TR5-400A5-0.5-6VA	TR5-400A1-0.5-6VA	0,50
500	0.5	10	TR5-500A5-0.5-10VA	TR5-500A1-0.5-10VA	0,50

Primary current	Class	Power	Secondary current	Secondary current	Weight
A		VA	5A	1A	Kg
600	0.5	10	TR5-600A5-0.5-10VA	TR5-600A1-0.5-10VA	0,50
750	0.5	10	TR5-750A5-0.5-10VA	TR5-750A1-0.5-10VA	0,50
800	0.5	10	TR5-800A5-0.5-10VA	TR5-800A1-0.5-10VA	0,50
1000	0.5	10	TR5-1K0A5-0.5-10VA	TR5-1K0A1-0.5-10VA	0,50
1200	0.5	10	TR5-1K2A5-0.5-10VA	TR5-1K2A1-0.5-10VA	0,50
1250	0.5	10	TR5-1K25A5-0.5-10VA	TR5-1K25A1-0.5-10VA	0,50
1500	0.5	20	TR5-1K5A5-0.5-20VA	TR5-1K5A1-0.5-20VA	0,50
1600	0.5	20	TR5-1K6A5-0.5-20VA	TR5-1K6A1-0.5-20VA	0,50
2000	0.5	20	TR5-2K0A5-0.5-20VA	TR5-2K0A1-0.5-20VA	0,50

## protection current transformers

Primary current	Class	Power	Secondary current	Secondary current
A		VA	5A	1A
250	5P5	3	TR5P-250A5-5P5-3VA	TR5P-250A1-5P5-3VA
250	5P10	1	TR5P-250A5-5P10-1VA	TR5P-250A1-5P10-1VA
300	5P5	3	TR5P-300A5-5P5-3VA	TR5P-300A1-5P5-3VA
300	5P10	1	TR5P-300A5-5P10-1VA	TR5P-300A1-5P10-1VA
400	5P5	3,5	TR5P-400A5-5P5-3.5VA	TR5P-400A1-5P5-3.5VA
400	5P10	1	TR5P-400A5-5P10-1VA	TR5P-400A1-5P10-1VA
500	5P5	3,5	TR5P-500A5-5P5-3.5VA	TR5P-500A1-5P5-3.5VA
500	5P10	1	TR5P-500A5-5P10-1VA	TR5P-500A1-5P10-1VA

Primary current	Class	Power	Secondary current	Secondary current
A		VA	5A	1A
600	5P5	5	TR5P-600A5-5P5-5VA	TR5P-600A1-5P5-5VA
600	5P10	1	TR5P-600A5-5P10-1VA	TR5P-600A1-5P10-1VA
750	5P5	6	TR5P-750A5-5P5-6VA	TR5P-750A1-5P5-6VA
750	5P10	1	TR5P-750A5-5P10-1VA	TR5P-750A1-5P10-1VA
800	5P5	6	TR5P-800A5-5P5-6VA	TR5P-800A1-5P5-6VA
800	5P10	1	TR5P-800A5-5P10-1VA	TR5P-800A1-5P10-1VA
1000	5P5	8	TR5P-1K0A5-5P5-8VA	TR5P-1K0A1-5P5-8VA
1000	5P10	1	TR5P-1K0A5-5P10-1VA	TR5P-1K0A1-5P10-1VA

## double ratio current transformers

Primary current	Class	Power	Secondary current	Secondary current	Weight
A		VA	5A	1A	Kg
200-400	1-0.5	4-6	TR5D-400A5-105-4VA6	TR5D-400A1-105-4VA6	0,70
250-500	0.5	3-10	TR5D-500A5-0.5-3VA10	TR5D-500A1-0.5-3VA10	0,70
300-600	0.5	4-10	TR5D-600A5-0.5-4VA10	TR5D-600A1-0.5-4VA10	0,70
400-800	0.5	6-10	TR5D-800A5-0.5-6VA10	TR5D-800A1-0.5-6VA10	0,70
500-1000	0.5	10-10	TR5D1K0A5-0.5-10VA10	TR5D1K0A1-0.5-10VA10	0,70

### included:

- 2 screws for mounting on rail/cable
- 2x screws for secondary terminals M4x6
- 1x terminal cover for secondary terminals
- 1x mounting with feet's (2 pieces)
- 1x mounting system for DIN rail EN50022-35

