



**current transformer  
TR6**

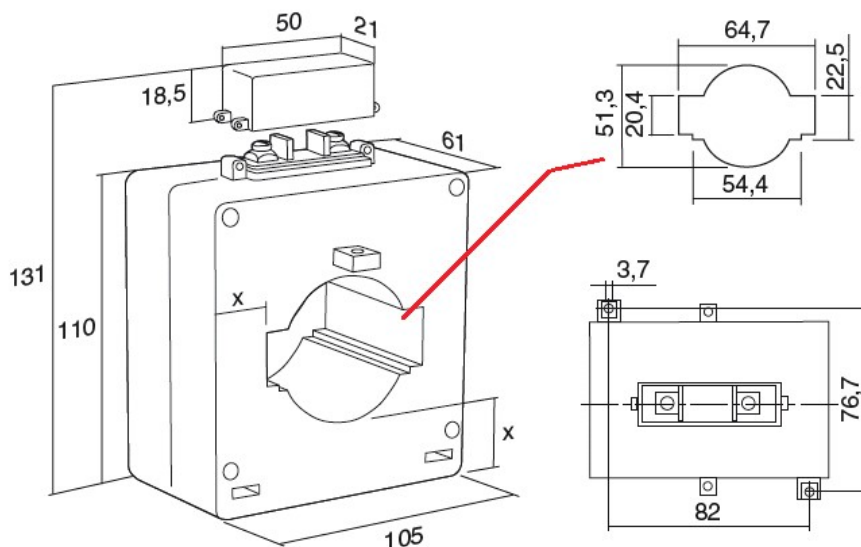
rail: 60x20mm  
50x20mm

cable: Ø50mm

standards	IEC185, according to the new IEC61869-1 und IEC 61869-2
housing	book-proof plastic case (ABS-V0) , flame retardant according to UL 94
terminals	secondary terminals with screws M4x6
frequency	50.....60Hz
insulation class	E ( IEC185 )
thermic short circuit current	$I_{th} = 40 \times I_n$ für 1sec.
dynamic short circuit current	$I_{dyn} = 2,5 \times I_{th}$ für 1 sec.
max.service voltage	for insulation $U_m = 0,72kV$ (on request 1,2kV)
testing voltage	3kV for 1 minute (on request 6kV)
instrument security factor	FS5 to FS10
operating conditions	room temperature: -20°C to +40°C      temperature on the bars: max. +70°C
secondary current	5A or 1A

TR6			
primary current	secondary current	class	power
200 – 2500A	5A or 1A	0,5  5P5 5P10	3VA to 20VA

## dimensions



## current transformer for measurements

Primary current	Class	Power	Secondary current	Secondary current	Weight
A		VA	5A	1A	Kg
200	0.5	3	TR6-200A5-0.5-3VA	TR6-200A1-0.5-3VA	1,00
250	0.5	5	TR6-250A5-0.5-5VA	TR6-250A1-0.5-5VA	1,00
300	0.5	5	TR6-300A5-0.5-5VA	TR6-300A1-0.5-5VA	1,00
400	0.5	6	TR6-400A5-0.5-6VA	TR6-400A1-0.5-6VA	1,00
500	0.5	6	TR6-500A5-0.5-6VA	TR6-500A1-0.5-6VA	1,00
600	0.5	10	TR6-600A5-0.5-10VA	TR6-600A1-0.5-10VA	0,70
750	0.5	10	TR6-750A5-0.5-10VA	TR6-750A1-0.5-10VA	0,70
800	0.5	10	TR6-800A5-0.5-10VA	TR6-800A1-0.5-10VA	0,70

Primary current	Class	Power	Secondary current	Secondary current	Weight
A		VA	5A	1A	Kg
1000	0.5	10	TR6-1K0A5-0.5-10VA	TR6-1K0A1-0.5-10VA	0,70
1200	0.5	15	TR6-1K2A5-0.5-15VA	TR6-1K2A1-0.5-15VA	0,70
1250	0.5	15	TR6-1K25A5-0.5-15VA	TR6-1K25A1-0.5-15VA	0,70
1500	0.5	20	TR6-1K5A5-0.5-20VA	TR6-1K5A1-0.5-20VA	0,80
1600	0.5	20	TR6-1K6A5-0.5-20VA	TR6-1K6A1-0.5-20VA	0,80
2000	0.5	20	TR6-2K0A5-0.5-20VA	TR6-2K0A1-0.5-20VA	0,80
2500	0.5	20	TR6-2K5A5-0.5-20VA	TR6-2K5A1-0.5-20VA	1,00

## protection current transformers

Primary current	Class	Power	Secondary current	Secondary current	Weight
A		VA	5A	1A	Kg
250	5P5	5	TR6P-250A5-5P5-5VA	TR6P-250A1-5P5-5VA	1,00
250	5P10	2	TR6P-250A5-5P10-2VA	TR6P-250A1-5P10-2VA	1,00
300	5P5	6	TR6P-300A5-5P5-6VA	TR6P-300A1-5P5-6VA	1,00
300	5P10	2,5	TR6P-300A5-5P10-2.5VA	TR6P-300A1-5P10-2.5VA	1,00
400	5P5	8	TR6P-400A5-5P5-8VA	TR6P-400A1-5P5-8VA	1,20
400	5P10	4	TR6P-400A5-5P10-4VA	TR6P-400A1-5P10-4VA	1,20
500	5P5	12	TR6P-500A5-5P5-12VA	TR6P-500A1-5P5-12VA	1,20
500	5P10	5	TR6P-500A5-5P10-5VA	TR6P-500A1-5P10-5VA	1,20
600	5P5	12	TR6P-600A5-5P5-12VA	TR6P-600A1-5P5-12VA	1,20
600	5P10	5	TR6P-600A5-5P10-5VA	TR6P-600A1-5P10-5VA	1,20
750	5P5	15	TR6P-750A5-5P5-15VA	TR6P-750A1-5P5-15VA	1,20
750	5P10	6	TR6P-750A5-5P10-6VA	TR6P-750A1-5P10-6VA	1,20

Primary current	Class	Power	Secondary current	Secondary current	Weight
A		VA	5A	1A	Kg
800	5P5	18	TR6P-800A5-5P5-18VA	TR6P-800A1-5P5-18VA	1,20
800	5P10	7	TR6P-800A5-5P10-7VA	TR6P-800A1-5P10-7VA	1,20
1000	5P5	20	TR6P-1K0A5-5P5-20VA	TR6P-1K0A1-5P5-20VA	1,40
1000	5P10	8	TR6P-1K0A5-5P10-8VA	TR6P-1K0A1-5P10-8VA	1,40
1200	5P5	25	TR6P-1K2A5-5P5-25VA	TR6P-1K2A1-5P5-25VA	1,40
1200	5P10	10	TR6P-1K2A5-5P10-10VA	TR6P-1K2A1-5P10-10VA	1,40
1250	5P5	20	TR6P-1K25A5-5P5-20VA	TR6P-1K25A1-5P5-20VA	1,40
1250	5P10	6	TR6P-1K25A5-5P10-6VA	TR6P-1K25A1-5P10-6VA	1,40
1500	5P5	30	TR6P-1K5A5-5P5-30VA	TR6P-1K5A1-5P5-30VA	1,40
1500	5P10	12	TR6P-1K5A5-5P10-12VA	TR6P-1K5A1-5P10-12VA	1,40

## double ratio current transformers

Primary current	Class	Power	Secondary current	Secondary current	Weight
A		VA	5A	1A	Kg
250-500	0.5	5-6	TR6D-500A5-0.5-5VA6	TR6D-500A1-0.5-5VA6	1,30
300-600	0.5	5-10	TR6D-600A5-0.5-5VA10	TR6D-600A1-0.5-5VA10	1,30
400-800	0.5	5-10	TR6D-800A5-0.5-5VA10	TR6D-800A1-0.5-5VA10	1,30
500-1000	0.5	10-20	TR6D-1K0A5-0.5-10VA20	TR6D-1K0A1-0.5-10VA20	1,30
600-1200	0.5	10-15	TR6D-1K2A5-0.5-10VA15	TR6D-1K2A1-0.5-10VA15	1,00
750-1500	0.5	10-20	TR6D-1K5A5-0.5-10VA20	TR6D-1K5A1-0.5-10VA20	1,00
800-1600	0.5	10-20	TR6D-1K6A5-0.5-10VA20	TR6D-1K6A1-0.5-10VA20	1,00
1000-2000	0.5	10-20	TR6D-2K0A5-0.5-10VA20	TR6D-2K0A1-0.5-10VA20	1,00

### included:

- 2 screws for mounting on rail/cable
- 2x screws for secondary terminals M4x6
- 1x terminal cover for secondary terminals
- 1x mounting with feet's (2 pieces)

