



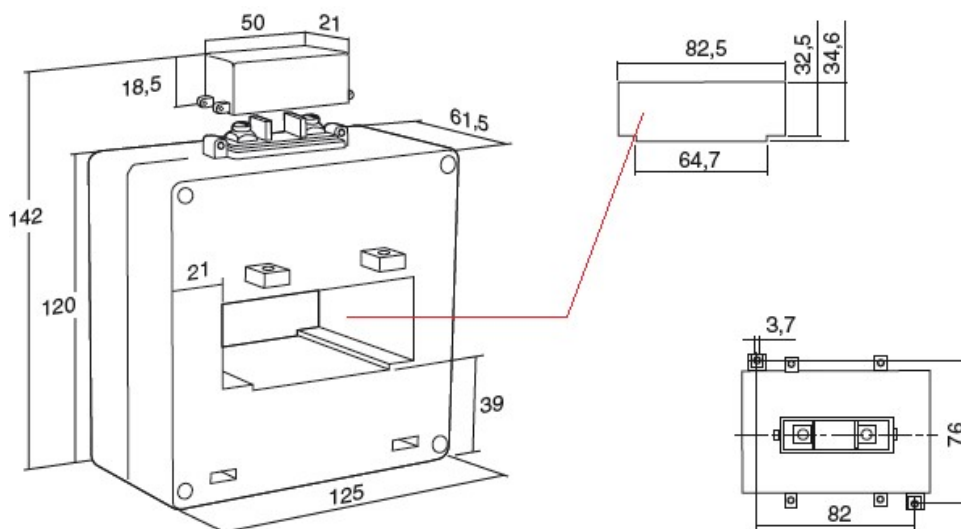
**current transformer
TR8**

rail: 80x30mm
60x30mm
cable: 2x Ø 30mm

standards	IEC185, according to the new IEC61869-1 und IEC 61869-2
housing	book-proof plastic case (ABS-V0) , flame retardant according to UL 94
terminals	secondary terminals with screws M4x6
frequency	50.....60Hz
insulation class	E (IEC185)
thermic short circuit current	$I_{th} = 40 \times I_n$ für 1sec.
dynamic short circuit current	$I_{dyn} = 2,5 \times I_{th}$ für 1 sec.
max.service voltage	for insulation $U_m = 0,72kV$ (on request 1,2kV)
testing voltage	3kV for 1 minute (on request 6kV)
instrument security factor	FS5 to FS10
operating conditions	room temperature: -20°C to +40°C temperature on the bars: max. +70°C
secondary current	5A or 1A

current transformers for measurements TR8			
primary current	secondary current	class	power
300 – 3200A	5A or 1A	0,2S-0,2-0,5S-0,5-1-3	5-60VA
protection current transformers TR8P			
300-2500A	5A or 1A	5P5 – 5P10-5P15-5P20	1-30VA

dimensions



current transformer for measurements

Primary current	Class	Power	Secondary current	Secondary current	Weight
A	VA		5A	1A	Kg
300	0.5	5	TR8-300A5-0.5-5VA	TR8-300A1-0.5-5VA	0,80
400	0.5	6	TR8-400A5-0.5-6VA	TR8-400A1-0.5-6VA	0,80
500	0.5	10	TR8-500A5-0.5-10VA	TR8-500A1-0.5-10VA	1,00
600	0.5	10	TR8-600A5-0.5-10VA	TR8-600A1-0.5-10VA	1,00
750	0.5	10	TR8-750A5-0.5-10VA	TR8-750A1-0.5-10VA	1,00
800	0.5	10	TR8-800A5-0.5-10VA	TR8-800A1-0.5-10VA	1,00
1000	0.5	10	TR8-1K0A5-0.5-10VA	TR8-1K0A1-0.5-10VA	0,70
1200	0.5	15	TR8-1K2A5-0.5-15VA	TR8-1K2A1-0.5-15VA	0,70

Primary current	Class	Power	Secondary current	Secondary current	Weight
A	VA		5A	1A	Kg
1250	0.5	15	TR8-1K25A5-0.5-10VA	TR8-1K25A1-0.5-10VA	0,70
1500	0.5	20	TR8-1K5A5-0.5-20VA	TR8-1K5A1-0.5-20VA	1,00
1600	0.5	20	TR8-1K6A5-0.5-20VA	TR8-1K6A1-0.5-20VA	1,00
2000	0.5	20	TR8-2K0A5-0.5-20VA	TR8-2K0A1-0.5-20VA	1,00
2500	0.5	20	TR8-2K5A5-0.5-20VA	TR8-2K5A1-0.5-20VA	1,00
3000	0.5	20	TR8-3K0A5-0.5-20VA	TR8-3K0A1-0.5-20VA	1,50
3200	0.5	20	TR8-3K2A5-0.5-20VA	TR8-3K2A1-0.5-20VA	1,50

protection current transformers

Primary current	Class	Power	Secondary current	Secondary current	Weight
A	VA		5A	1A	Kg
300	5P5	4	TR8P-300A5-5P5-4VA	TR8P-300A1-5P5-4VA	0,70
300	5P10	1	TR8P-300A5-5P10-1VA	TR8P-300A1-5P10-1VA	0,70
400	5P5	5	TR8P-400A5-5P5-5VA	TR8P-400A1-5P5-5VA	0,70
400	5P10	1,5	TR8P-400A5-5P10-1.5VA	TR8P-400A1-5P10-1.5VA	0,70
500	5P5	7	TR8P-500A5-5P5-7VA	TR8P-500A1-5P5-7VA	0,90
500	5P10	2	TR8P-500A5-5P10-2VA	TR8P-500A1-5P10-2VA	0,90
600	5P5	8	TR8P-600A5-5P5-8VA	TR8P-600A1-5P5-8VA	0,90
600	5P10	2,5	TR8P-600A5-5P10-2.5VA	TR8P-600A1-5P10-2.5VA	0,90
750	5P5	10	TR8P-750A5-5P5-10VA	TR8P-750A1-5P5-10VA	0,90
750	5P10	3	TR8P-750A5-5P10-3VA	TR8P-750A1-5P10-3VA	0,90
750	5P15	1	TR8P-750A5-5P15-1VA	TR8P-750A1-5P15-1VA	0,90
800	5P5	10	TR8P-800A5-5P5-10VA	TR8P-800A1-5P5-10VA	0,90
800	5P10	3,5	TR8P-800A5-5P10-3.5VA	TR8P-800A1-5P10-3.5VA	0,90
800	5P15	1	TR8P-800A5-5P15-1VA	TR8P-800A1-5P15-1VA	0,90
1000	5P5	13	TR8P-1K0A5-5P5-13VA	TR8P-1K0A1-5P5-13VA	0,70
1000	5P10	4,5	TR8P-1K0A5-5P10-4.5VA	TR8P-1K0A1-5P10-4.5VA	0,70
1000	5P15	1	TR8P-1K0A5-5P15-1VA	TR8P-1K0A1-5P15-1VA	0,70
1200	5P5	16	TR8P-1K2A5-5P5-16VA	TR8P-1K2A1-5P5-16VA	0,70
1200	5P10	5	TR8P-1K2A5-5P10-5VA	TR8P-1K2A1-5P10-5VA	0,70
1200	5P15	1	TR8P-1K2A5-5P15-1VA	TR8P-1K2A1-5P15-1VA	0,70
1250	5P5	17	TR8P-1K25A5-5P5-17VA	TR8P-1K25A1-5P5-17VA	0,70
1250	5P10	5	TR8P-1K25A5-5P10-5VA	TR8P-1K25A1-5P10-5VA	0,70
1250	5P15	1	TR8P-1K25A5-5P15-1VA	TR8P-1K25A1-5P15-1VA	0,70
1500	5P5	20	TR8P-1K5A5-5P5-20VA	TR8P-1K5A1-5P5-20VA	1,00
1500	5P10	6	TR8P-1K5A5-5P10-6VA	TR8P-1K5A1-5P10-6VA	1,00
1500	5P15	1	TR8P-1K5A5-5P15-1VA	TR8P-1K5A1-5P15-1VA	1,00
1600	5P5	22	TR8P-1K6A5-5P5-22VA	TR8P-1K6A1-5P5-22VA	1,00
1600	5P10	7	TR8P-1K6A5-5P10-7VA	TR8P-1K6A1-5P10-7VA	1,00
1600	5P15	1,5	TR8P-1K6A5-5P15-1.5VA	TR8P-1K6A1-5P15-1.5VA	1,00
2000	5P5	25	TR8P-2K0A5-5P5-25VA	TR8P-2K0A1-5P5-25VA	1,00
2000	5P10	8	TR8P-2K0A5-5P10-8VA	TR8P-2K0A1-5P10-8VA	1,00
2000	5P15	1,5	TR8P-2K0A5-5P15-1.5VA	TR8P-2K0A1-5P15-1.5VA	1,00
2500	5P5	30	TR8P-2K5A5-5P5-30VA	TR8P-2K5A1-5P5-30VA	1,20
2500	5P10	8	TR8P-2K5A5-5P10-8VA	TR8P-2K5A1-5P10-8VA	1,20

double ratio current transformers

Primary current	Class	Power	Secondary current	Secondary current	Weight
A	VA		5A	1A	Kg
400-800	0.5	6-10	TR8D-800A5-0.5-6VA10	TR8D-800A1-0.5-6VA10	1,30
500-1000	0.5	10-10	TR8D-1K0A5-0.5-10VA10	TR8D-1K0A1-0.5-10VA10	1,30
600-1200	0.5	10-15	TR8D-1K2A5-0.5-10VA15	TR8D-1K2A1-0.5-10VA15	1,00
750-1500	0.5	10-20	TR8D-1K5A5-0.5-10VA20	TR8D-1K5A1-0.5-10VA20	1,00
800-1600	0.5	10-20	TR8D-1K6A5-0.5-10VA20	TR8D-1K6A1-0.5-10VA20	1,00
1000-2000	0.5	10-20	TR8D-2K0A5-0.5-10VA20	TR8D-2K0A1-0.5-10VA20	1,00
1200-2400	0.5	15-20	TR8D-2K4A5-0.5-15VA20	TR8D-2K4A1-0.5-15VA20	1,00
1500-3000	0.5	20-20	TR8D-3K0A5-0.5-20VA20	TR8D-3K0A1-0.5-20VA20	1,00

included:
2 screws for mounting on rail/cable
2x screws for secondary terminals M4x6
1x terminal cover for secondary terminals
1x mounting with feet's (2 pieces)

