



current transformer  
**TR8V**

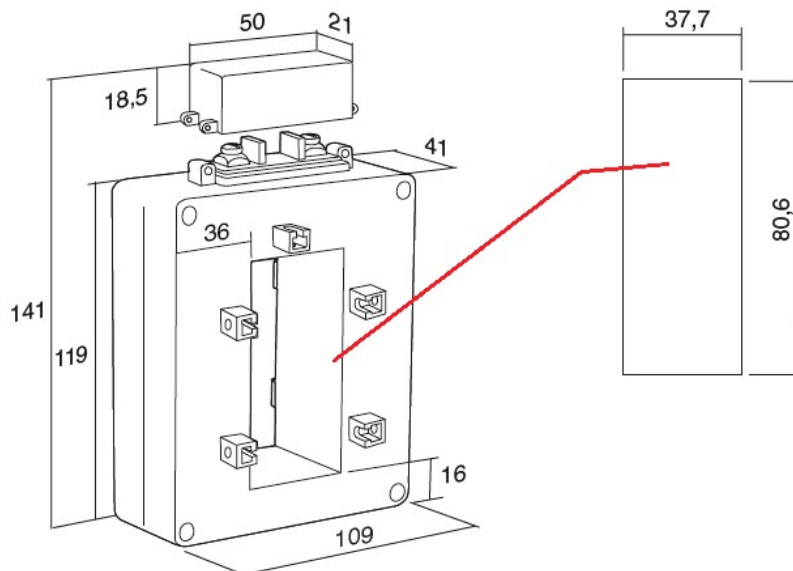
rail: 80x30mm

cable: 2x Ø 35mm

standards	IEC185, according to the new IEC61869-1 und IEC 61869-2	
housing	book-proof plastic case (ABS-V0) , flame retardant according to UL 94	
terminals	secondary terminals with screws M4x6	
frequency	50.....60Hz	
insulation class	E ( IEC185 )	
thermic short circuit current	$I_{th} = 40 \times I_n$ für 1sec.	
dynamic short circuit current	$I_{dyn} = 2,5 \times I_{th}$ für 1 sec.	
max.service voltage	for insulation $U_m = 0,72kV$ (on request 1,2kV)	
testing voltage	3kV for 1 minute (on request 6kV)	
instrument security factor	FS5 to FS10	
operating conditions	room temperature: -20°C to +40°C	temperature on the bars: max. +70°C
secondary current	5A or 1A	

TR8V			
primary current	secondary current	class	power
400 – 2500A	5A oder 1A	0,5	6-20VA

## dimensions



## current transformer for measurements

Primary current	Class	Power	Secondary current	Secondary current	Weight
<b>A</b>		<b>VA</b>	<b>5A</b>	<b>1A</b>	<b>Kg</b>
400	0.5	6	TR8V-400A5-0.5-6VA	TR8V-400A1-0.5-6VA	0,70
500	0.5	10	TR8V-500A5-0.5-10VA	TR8V-500A1-0.5-10VA	0,70
600	0.5	10	TR8V-600A5-0.5-10VA	TR8V-600A1-0.5-10VA	0,70
750	0.5	10	TR8V-750A5-0.5-10VA	TR8V-750A1-0.5-10VA	0,70
800	0.5	10	TR8V-800A5-0.5-10VA	TR8V-800A1-0.5-10VA	0,70
1000	0.5	10	TR8V-1K0A5-0.5-10VA	TR8V-1K0A1-0.5-10VA	0,70
1200	0.5	10	TR8V-1K2A5-0.5-10VA	TR8V-1K2A1-0.5-10VA	0,70
1250	0.5	10	TR8V-1K25A5-0.5-10VA	TR8V-1K25A1-0.5-10VA	0,70
1500	0.5	10	TR8V-1K5A5-0.5-10VA	TR8V-1K5A1-0.5-10VA	0,70
1600	0.5	12	TR8V-1K6A5-0.5-12VA	TR8V-1K6A1-0.5-12VA	0,70
2000	0.5	20	TR8V-2K0A5-0.5-20VA	TR8V-2K0A1-0.5-20VA	0,70
2500	0.5	20	TR8V-2K5A5-0.5-20VA	TR8V-2K5A1-0.5-20VA	0,80

### included:

8x screws for mounting on rail/cable

2x screws for secondary terminals M4x6

1x terminal cover for secondary terminals

