



winding current transformer
TRP1E

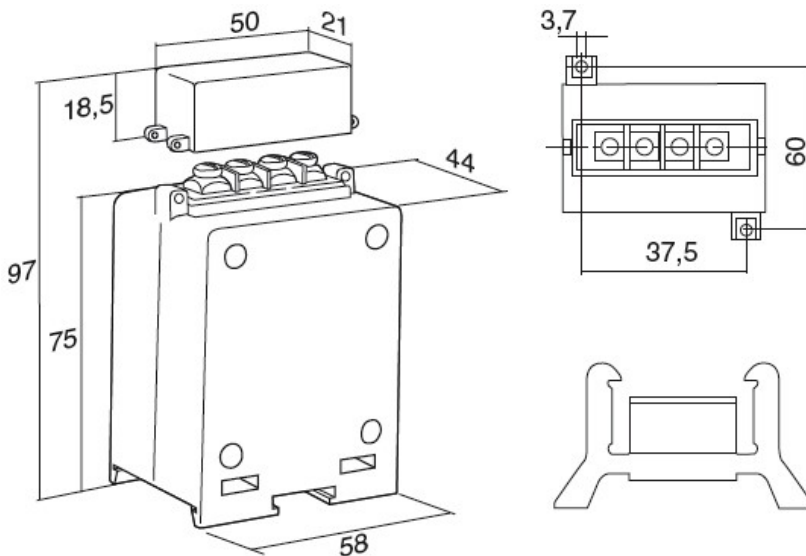
rail: ----

cable: ----

standards	IEC185, according to the new IEC61869-1 und IEC 61869-2
housing	book-proof plastic case (ABS-V0) , flame retardant according to UL 94
terminals	secondary terminals with screws M4x6
frequency	50....60Hz
insulation class	E (IEC185)
thermic short circuit current	$I_{th} = 40 \times I_n$ für 1sec.
dynamic short circuit current	$I_{dyn} = 2,5 \times I_{th}$ für 1 sec.
max.service voltage	for insulation $U_m = 0,72kV$ (on request 1,2kV)
testing voltage	3kV for 1 minute (on request 6kV)
instrument security factor	FS5 to FS10
operating conditions	room temperature: -20°C to +40°C temperature on the bars: max. +70°C
secondary current	5A or 1A

TRP1E			
primary current	secondary current	class	power
1 – 40A	5A or 1A	1,0	3VA

dimensions



current transformer for measurements

Primary current	Class	Power	Secondary current	Secondary current	Weight
A		VA	5A	1A	Kg
1	1	3	TRP1E-001A5-1-3VA	TRP1E-001A1-1-3VA	0,40
5	1	3	TRP1E-005A5-1-3VA	TRP1E-005A1-1-3VA	0,40
10	1	3	TRP1E-010A5-1-3VA	TRP1E-010A1-1-3VA	0,40
15	1	3	TRP1E-015A5-1-3VA	TRP1E-015A1-1-3VA	0,40
20	1	3	TRP1E-020A5-1-3VA	TRP1E-020A1-1-3VA	0,40
25	1	3	TRP1E-025A5-1-3VA	TRP1E-025A1-1-3VA	0,40
30	1	3	TRP1E-030A5-1-3VA	TRP1E-030A1-1-3VA	0,40
40	1	3	TRP1E-040A5-1-3VA	TRP1E-040A1-1-3VA	0,40

included:

- 4x screws for secondary terminals M4x6
- 1x terminal cover for secondary terminals
- 1x mounting with feet's (2 pieces)
- 1x DIN-rail mounting system EN50022-35

