

digital panel meters

2RD-Serial



Digital measuring instruments with the dimensions 48x48, 72x72, 96x96, 36x72 and 48x96mm, for panel mounting. Partially programmable displays, True RMS for AC instruments.

Available for measuring ranges AC / DC current or voltage, process variables (mA | V).

As options you have 2 programmable limit value relays, analog output and serial interface RS485 ASCII available.

general technical data

display 4-digits, LED

LED-colour red

LED-height 48x48mm = 8mm | 36x72, 72x72 = 14mm | 48x96, 96x96 = 20mm

measuring rate ca. 3 measurements / sec.

response time <300ms (0 bis 99% from the input signal)

burden 1,5VA

temperature Operating temperature: -5 – 55°C | storage temperature: -20 bis +70°C

protection standard: IP52,

accuracy class 0,5 +/- 2 Digit – referred to full scale according to standards EN60688

options: 2 threshold alarm (250V AC / 8 A) for model 48x48: 1 threshold alarm 1x 230V/0,1A AC

1 analog output – 4/20mA passive – 2 wires aux.20...30V DC (isolated 1000V DC)

1 output RS485 (ASCII) – isolated 1000V DC

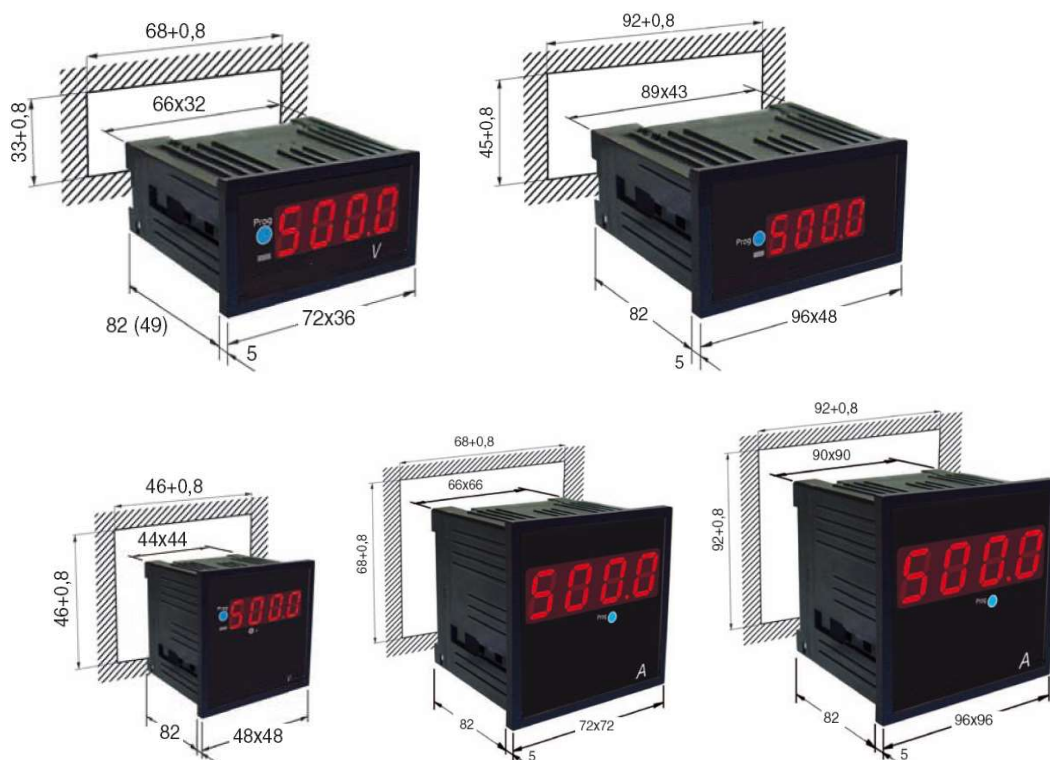
power supply standard: 230V AC options: -P1= 22-36V AC | 19-70V DC -P2= 44-130V AC | 70-240V DC

terminals plug-in terminals

dimensions 48x48, 72x72, 96x96, 36x72 and 48x96mm

weight between approx 200 bis 300g

dimensions in mm



order number:

2 R D 7 2 V 230 - 1 0 0 LBR

basic type „2RD = By“

dimensions

36 = 36x72

48 = 48x96

488 = 48x48

72 = 72x72

96 = 96x96

A = amperemeter

V = voltmeter

F = frequencymeter

T = mA / V process meter

power supply

110 = 110V AC

230 = 230V AC

-P1 = 22.....36V AC und 19.....70V DC

-P2 = 44...130V AC und 70...240V DC

options:

- = without threshold alarm

S = with threshold alarm

range:

AC-range:

100 = 500V AC | 110 = 100V AC

120 = 5A AC

121 = 45-100Hz

DC-range:

001 = 1mA DC | 005 = 5mA DC | 010 = 10mA DC | 020 = 20mA DC | 420 = 4-20mA DC

130 = 60mV DC | 131 = 1V DC | 135 = 10V DC | 150 = 500V DC | 160 = 100V DC

options:

420 = analog output 4 ... 20mA

-RS = output RS485

LBR = LED brightness reduction

order examples:

2RD96V -P1 S 100 = AC Voltmeter, 96x96, power supply:: 22-36V AC and 19-70V DC - range: 0-500V AC, Options: with threshold alarm

2RD36T 230- 420 = AC Amperemeter, 36x72, power supply:: 230V AC - range: 4-20mA DC, options: without

2RD72A 230- 100 = AC Voltmeter, 72x72, power supply: 230V AC - range: 0-500V AC, options: without



AC – amperemeter and voltmeter

true RMS

range	500V AC				
Un	100V AC				
range	5A AC				
In	(connection on current-transformer)				
dimensions	48x48	72x72	96x96	36x72	48x96
options:	2 threshold alarm (250V AC / 8 A) for model 48x48: 1 threshold alarm 1x 230V/0,1A AC				
	1 analog output – 4/20mA passive – 2 wires aux.20...30V DC (isolated 1000V DC)				
	1 output RS485 (ASCII) – isolated 1000V DC				



DC – amperemeter and voltmeter

range	500V DC				
Un	100V DC				
range	60mV DC				
In	(connection on shunt)				
dimensions	48x48	72x72	96x96	36x72	48x96
options:	2 threshold alarm (250V AC / 8 A) for model 48x48: 1 threshold alarm 1x 230V/0,1A AC				
	1 analog output – 4/20mA passive – 2 wires aux.20...30V DC (isolated 1000V DC)				
	1 output RS485 (ASCII) – isolated 1000V DC				

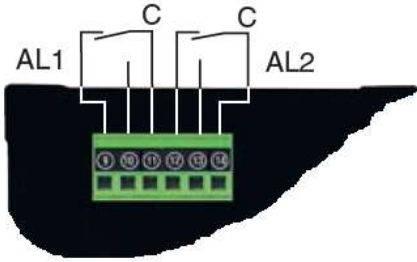


DC – process meter

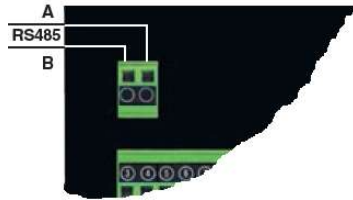
range	10V DC				
Un	1V DC				
range	1mA 5mA 10mA 20mA				
In	4-20mA DC				
dimensions	48x48	72x72	96x96	36x72	48x96
options:	2 threshold alarm (250V AC / 8 A) for model 48x48: 1 threshold alarm 1x 230V/0,1A AC				
	1 analog output – 4/20mA passive – 2 wires aux.20...30V DC (isolated 1000V DC)				
	1 output RS485 (ASCII) – isolated 1000V DC				

connection plan

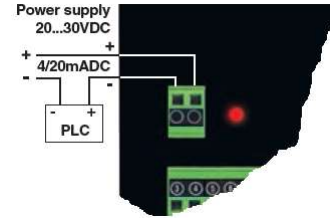
Options: threshold alarm



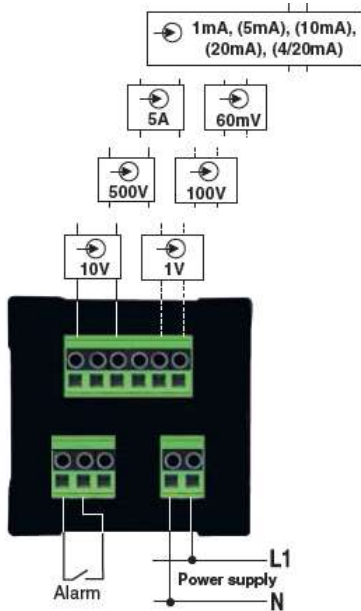
Options: RS485



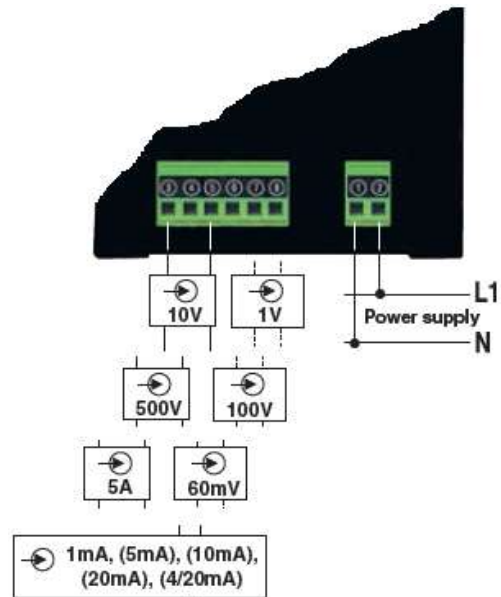
Options: analog output 4-20mA DC



size 48x48



size 36x72, 48x96, 72x72, 96x96



Plug-in terminals

