

SAFETY TRANSFORMERS

15VA – 25VA – 40VA – 63VA





application

- The installation transformers are used for galvanic separation of the supply voltage from control circuits used by transmitters, relays and Load contactors are controlled.

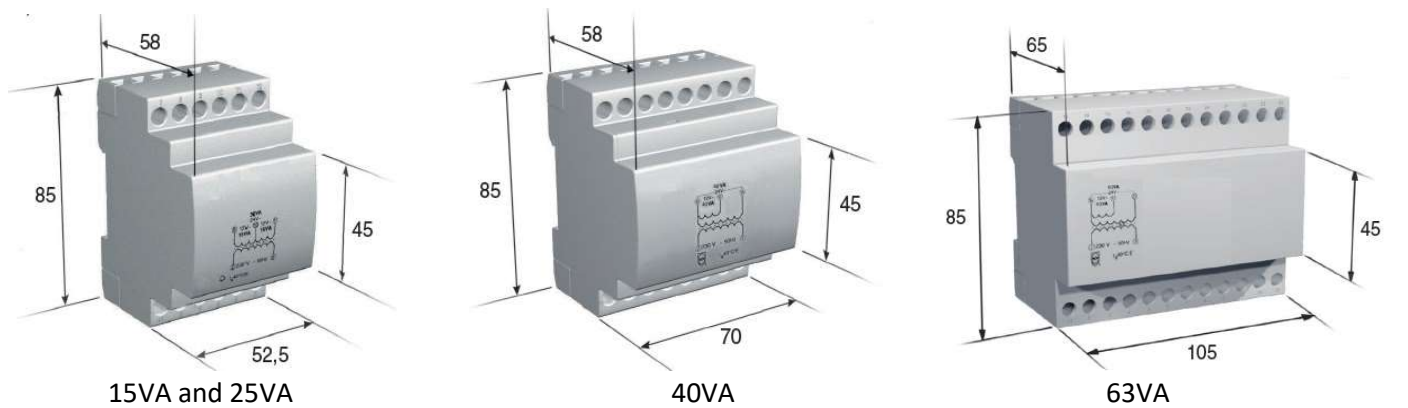
According to EN61558-2-6, for snapping on a DIN-rail according to DIN EN 50022 - suitable for continuous operation.

input voltage	230V AC
output voltage	12 and 24V AC
frequency	50 / 60Hz
protection class	IP20
insulation class	E
max.ambient temperature	25°C
protection class	II
power range	15 / 25 / 40 / 63 VA

execution

- safety transformer according to EN 61558-2-6
- design in protection class IP20
- dimensions according to DIN 43880 (3 DIN, 4 DIN and 6 DIN)
- touch-safe connections on screw terminals
- conditionally short-circuit proof * due to the built-in PTC

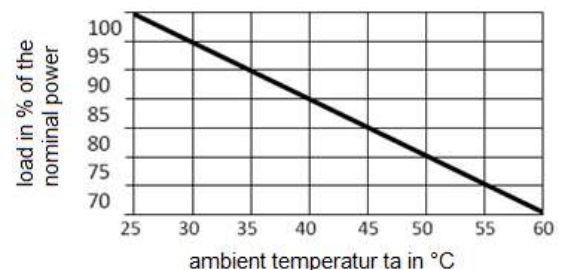
dimensions



order-no.	type	power VA	current I _N A	DIN-Module	voltage U _N	weight
T 0000 0001	TR15	15,00	1,25 0,625	3 TE = 52,5 mm	12 24 V AC	0,5
T 0000 0002	TR25	25,00	2,08 1,04	3 TE = 52,5 mm	12 24 V AC	0,6
T 0000 0003	TR40	40,00	3,33 1,67	4 TE = 70,0 mm	12 24 V AC	0,8
T 0000 0004	TR63	63,00	5,25 2,62	6 TE = 105 mm	12 24 V AC	1,3

load characteristic

the transformers are designed for an ambient temperature of $t_a = 25^\circ\text{C}$. If this temperature is exceeded, the nominal power must be reduced as shown in this figure at the side.



- * Conditionally short-circuit-proof transformers have a built-in protective device that, if the transformer is overloaded or is short-circuited, opens the input or output circuit. E.g. through fuses, PTC thermistors, thermal switches, thermal fuses. After the error has been eliminated, all requirements of the standard are still met. Our installation transformers are equipped with a PTC thermistor to protect against any over currents.